

**TM-ZE300 41044502004A BOOM/4 SECT.**

PB0000062-01 SYSTEM (ZE300,DOMESTIC)

PB0000066-01 SYSTEM (ZE360,DOMESTIC)

ASSEMBLY

www.AutoEPC.com

TM-ZE300 41044502004A BOOM/4 SECT.  
PB0000062-01 SYSTEM (ZE300,DOMESTIC)

ZE300,コクナイ  
ZE300,DOMESTIC

1 ブーム システム  
BOOM SYSTEM

注意：①適用製造番号によっては取り付けがないものもあります。

NOTE:①MACHINES OF SOME SERIAL NO.ARE NOT EQUIPPED WITH  
THESE PARTS.

**TM-ZE300 41044502004A BOOM/4 SECT.**

Pos No.	Parts No	Parts Name	Qty	Unit	Technical Data	Serial No (Start)	Serial
1	(***** )	BOOM SYSTEM	1				

www.AutoEPC.com

TM-ZE300 41044502004A BOOM/4 SECT.  
PB0000066-01 SYSTEM (ZE360,DOMESTIC)

ZE360,コクナイ  
ZE360,DOMESTIC

1 ブーム システム  
BOOM SYSTEM

注意：①適用製造番号によっては取り付けがないものもあります。

NOTE:①MACHINES OF SOME SERIAL NO.ARE NOT EQUIPPED WITH  
THESE PARTS.

**TM-ZE300 41044502004A BOOM/4 SECT.**

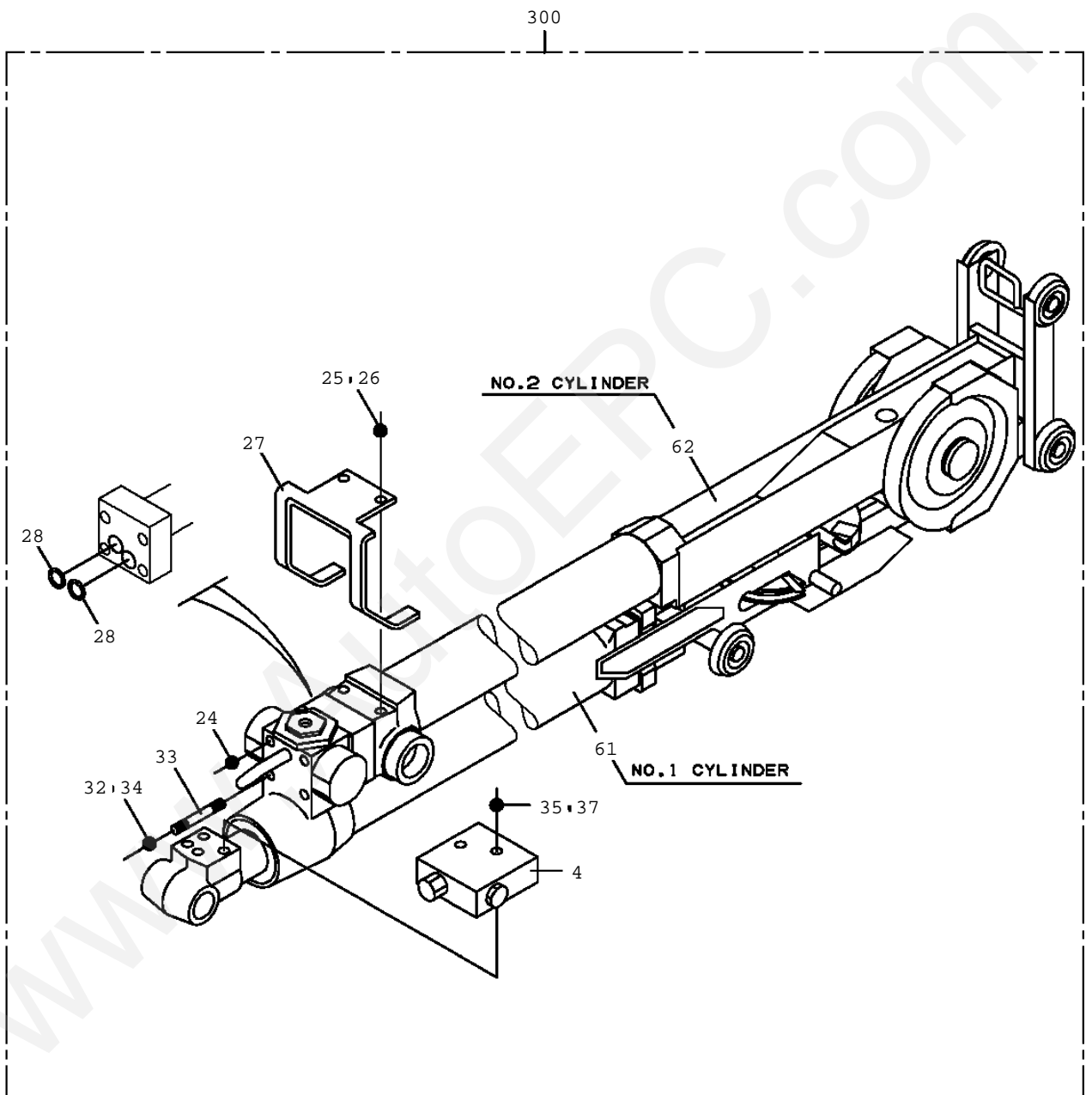
Pos No.	Parts No	Parts Name	Qty	Unit	Technical Data	Serial No (Start)	Serial
1	(***** )	BOOM SYSTEM	1				

www.AutoEPC.com

**TM-ZE300 41044502004A BOOM/4 SECT.**

PC6470015-00 CYLINDER ASSY,TELESCOPING  
PC6470041-00 CYLINDER ASSY,TELESCOPING  
PF1050316-03 HOOK (SHEAVE 2 PC'S)  
PF1090022-01 SOCKET,ROPE  
PG1010989-01 BOOM  
PG1010994-00 BOOM (LINK ASSY)  
PG1050677-01 CYLINDER ASSY,TELESCOPING  
PG1200149-02 PIPING,TELESCOPING  
PG2020002-00 BOOM UNIT  
PH1060326-00 DETECTOR,OVER WIND (CHAIN,FOR WEIGHT)  
PH1060485-03 DETECTOR,OVERWIND  
PI1250125-02 VALVE,COUNTERBALANCE  
PN1014568-00 ELEC.ASSY (REEL,CORD)  
PN1350145-01 REEL,CORD  
PN5010639-00 NAME PLATE ASSY (ZEST ECO)  
PO1015025-01 PLATE ASSY,NAME (CAUTION.LOGO)  
PO1015026-00 PLATE ASSY,NAME (STAMP)  
PO1015140-01 PLATE ASSY,NAME (ZEST)+(ECO)  
PO1015633-01 PLATE ASSY,NAME (SILENT ECO)  
PR5050001-00 REEL ASSY,CORD  
PS5420040-00 SUPPORT ASSY  
PS5420041-00 SUPPORT ASSY  
PT5130012-01 TELESCOPE ASSY  
PZ1000590-01 BOOM SYSTEM

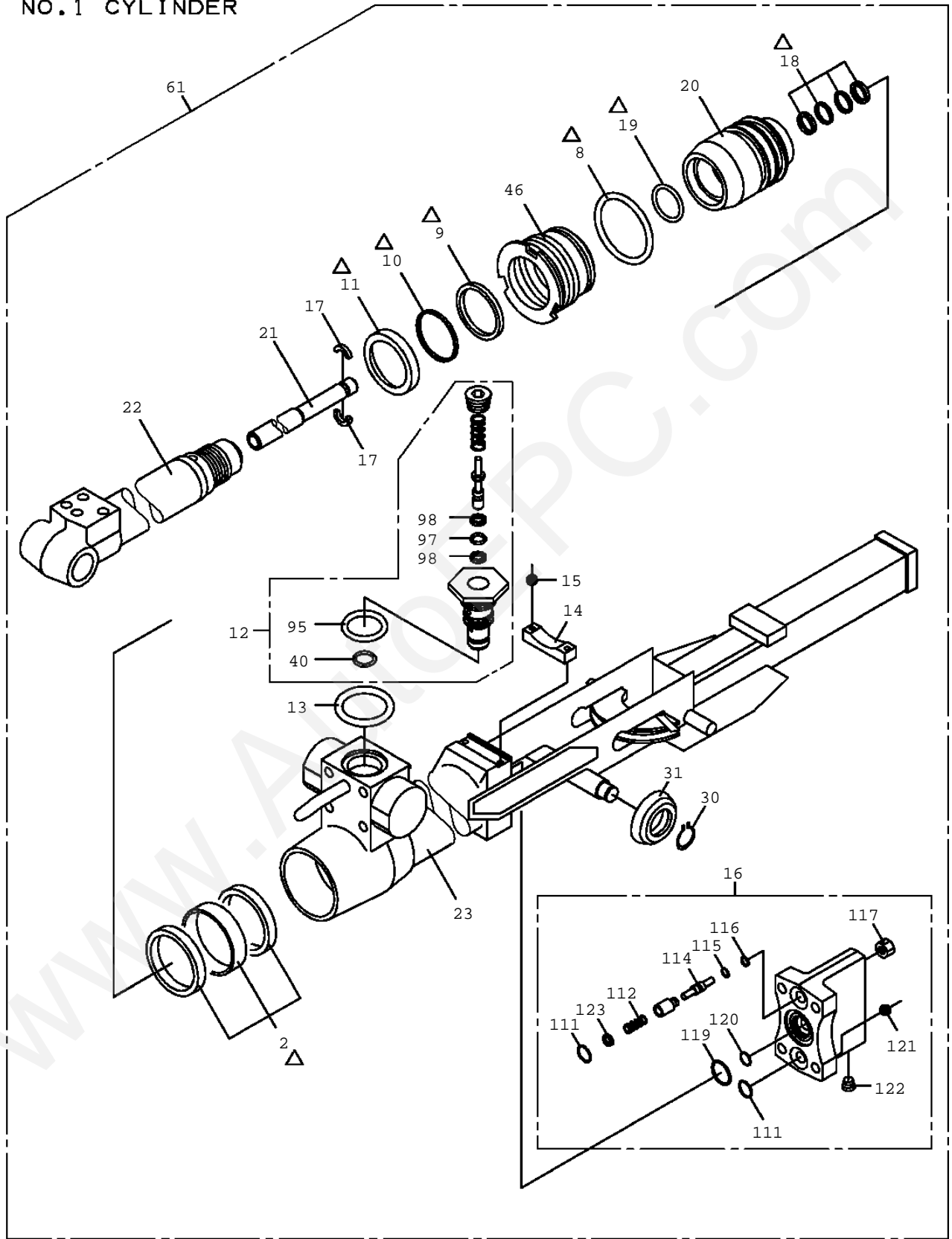
TM-ZE300 41044502004A BOOM/4 SECT.  
PC6470015-00 CYLINDER ASSY,TELESCOPING



展開図有  
ILLUSTRATED BREAKDOWN NO. 61, 62

TM-ZE300 41044502004A BOOM/4 SECT.  
 PC6470015-00 CYLINDER ASSY,TELESCOPING

NO.1 CYLINDER

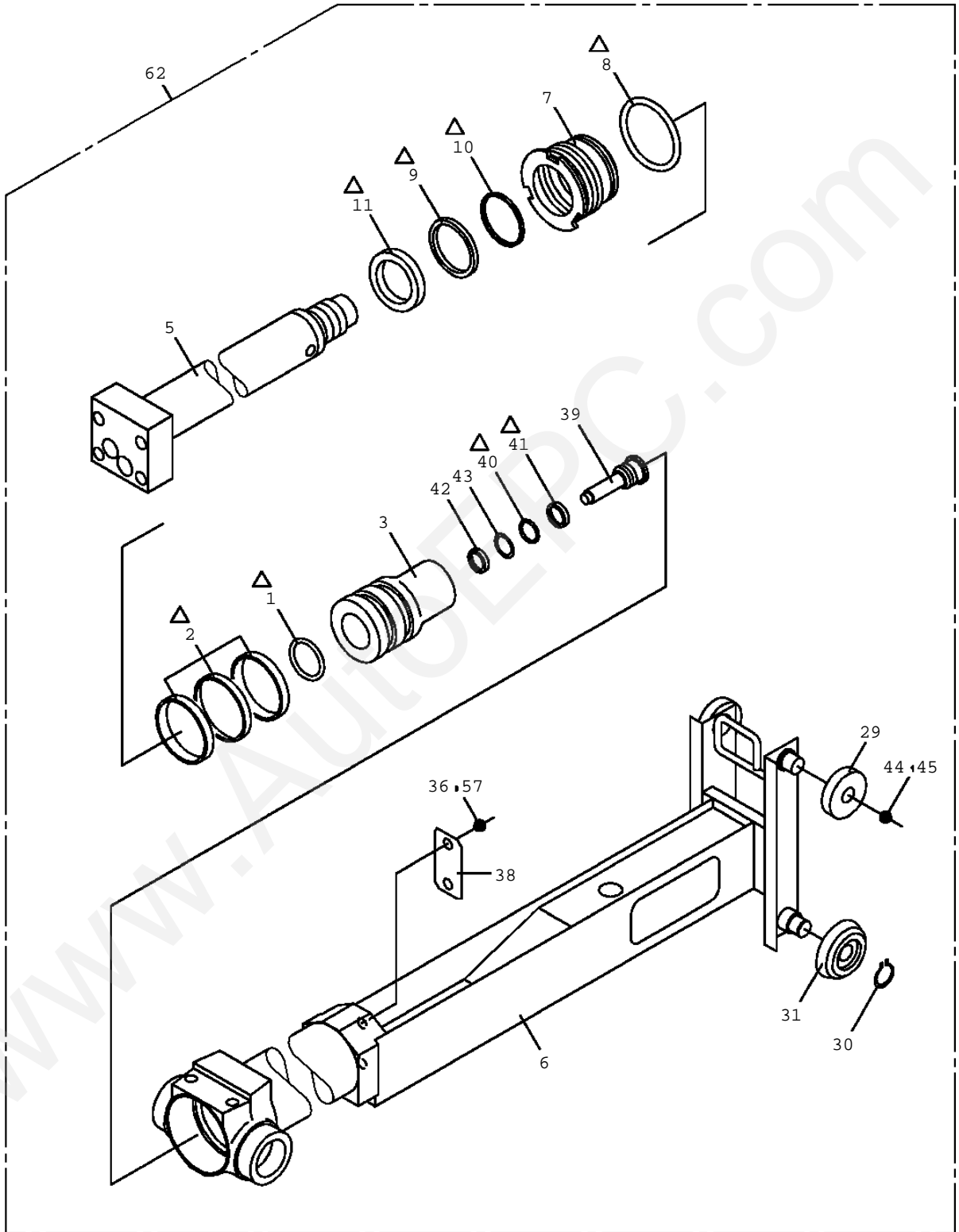


△:PACKING SET KEY NO.71 (KEY NO.2,8,9,10,11,18,19 )



TM-ZE300 41044502004A BOOM/4 SECT.  
PC6470015-00 CYLINDER ASSY,TELESCOPING

NO.2 CYLINDER



△:PACKING SET KEY NO.81 (KEY NO.1,2,8,9,10,11,40,41 )

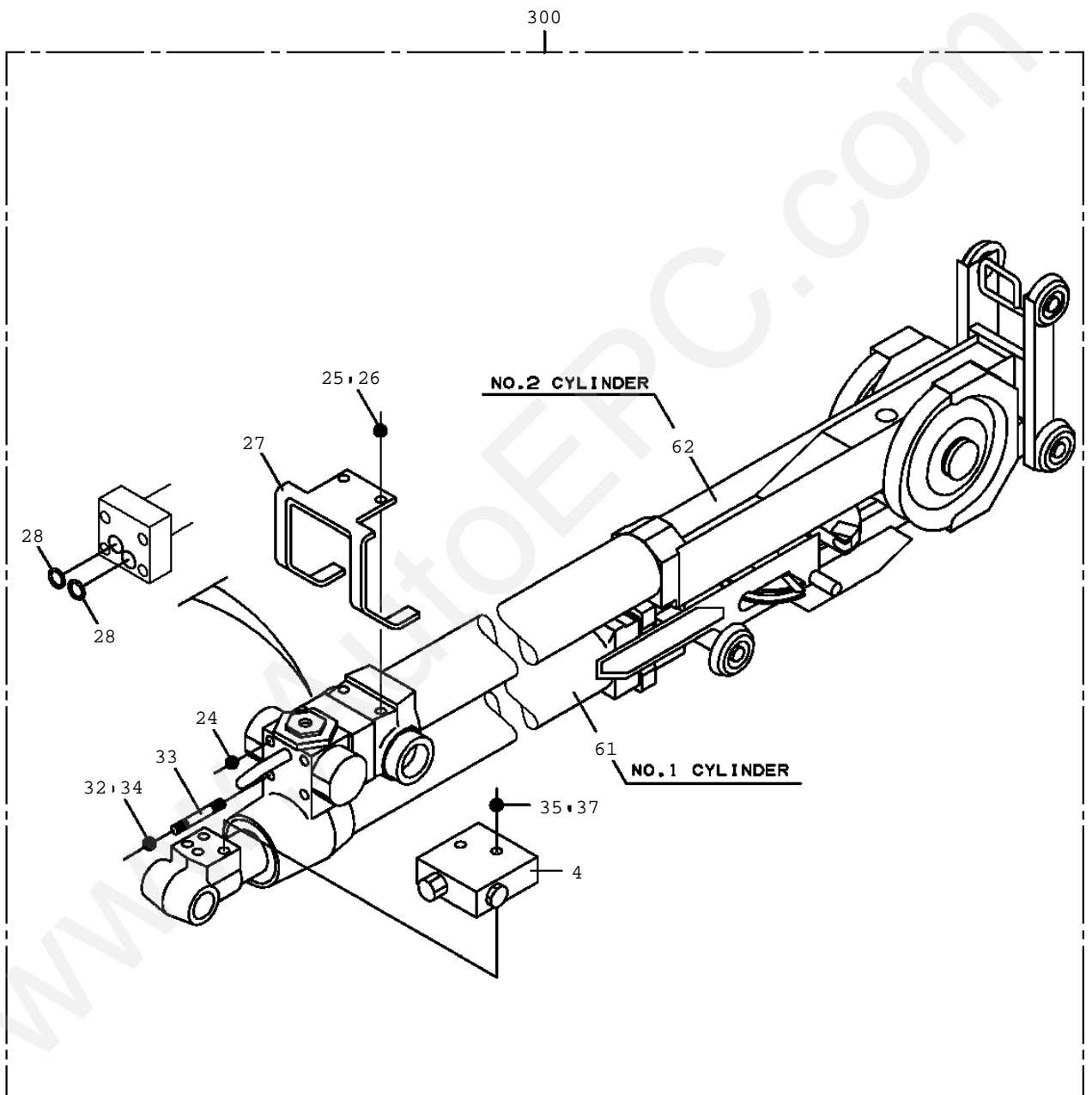
**TM-ZE300 41044502004A BOOM/4 SECT.**

Pos No.	Parts No	Parts Name	Qty	Unit	Technical Data	Serial
1	91002802800	O-RING	1		1B P28	
	91002802800	O-RING	1		1B P28	
2	91350206000	BEARING,PLAIN (WITH PACKINGX2)	2			
	91350206000	BEARING,PLAIN (WITH PACKINGX2)	2			
3	36016030700	PISTON	1			
	36016030700	PISTON	1			
4	36605200001	VALVE,COUNTERBALANCE	1			
	36605200001	VALVE,COUNTERBALANCE	1			
5	36016034000	ROD	1			
	36016034000	ROD	1			
6	36018321000	CYLINDER	1			
	36018321000	CYLINDER	1			
7	36016030100	COVER,ROD	1			
	36016030100	COVER,ROD	1			
8	91002905500	O-RING	2		1B G55	
	91002905500	O-RING	2		1B G55	
9	91694004500	PACKING	2			
	91694004500	PACKING	2			
10	91410204502	RING,BACKUP	2			
	91410204502	RING,BACKUP	2			
11	91660004501	SEAL,DUST	2			
	91660004501	SEAL,DUST	2			
12	36012150700	VALVE,CHECK	1			
	36012150700	VALVE,CHECK	1			
13	91001103800	O-RING	1		1A P38	
	91001103800	O-RING	1		1A P38	
14	37002008830	PLATE,SLIDE	1			
	37002008830	PLATE,SLIDE	1			
15	80171304012	SCREW,MACHINE	2		M4X12	
	80171304012	SCREW,MACHINE	2		M4X12	
16	36625270000	VALVE,CHECK	1			DE3538
	36625270000	VALVE,CHECK	1			DE3538
	36624620000	VALVE,CHECK	1			DF6174
17	36010060340	STOPPER	2			
	36010060340	STOPPER	2			
18	37000402120	BEARING,PLAIN (WITH PACKINGX2)	1			
	37000402120	BEARING,PLAIN (WITH PACKINGX2)	1			
19	91002903500	O-RING	1		1B G35	
	91002903500	O-RING	1		1B G35	
20	36013793000	PISTON	1			
	36013793000	PISTON	1			
21	36014320100	PIPE	1			
	36014320100	PIPE	1			
22	36016032000	ROD	1			
	36016032000	ROD	1			
23	36016033000	CYLINDER	1			
	36016033000	CYLINDER	1			
24	90172112065	BOLT,HEXAGON SOCKET	3		M12X65	
	90172112065	BOLT,HEXAGON SOCKET	3		M12X65	
25	90172108014	BOLT,HEXAGON SOCKET	2		M8X14	
	90172108014	BOLT,HEXAGON SOCKET	2		M8X14	
26	90302040801	WASHER,SPRING	2		8	
	90302040801	WASHER,SPRING	2		8	
27	31211390200	SUPPORT	1			
	31211390200	SUPPORT	1			
28	91001101400	O-RING	2		1A P14	
	91001101400	O-RING	2		1A P14	
29	37001110540	ROLLER	2			
	37001110540	ROLLER	2			
30	80601110150	RING,RITAINING	4		15	
	80601110150	RING,RITAINING	4		15	
31	37001103490	ROLLER ASSY	4			
	37001103490	ROLLER ASSY	4			
32	90201781200	NUT	1		M12	
	90201781200	NUT	1		M12	
33	90141812070	BOLT,STUD	1		M12X70	
	90141812070	BOLT,STUD	1		M12X70	
34	90302041201	WASHER,SPRING	1		12	
	90302041201	WASHER,SPRING	1		12	
35	90171110040	BOLT	2		M10X40	
	90171110040	BOLT	2		M10X40	
36	90172110016	BOLT,HEXAGON SOCKET	2		M10X16	
	90172110016	BOLT,HEXAGON SOCKET	2		M10X16	
37	90302041001	WASHER,SPRING	2		10	

**TM-ZE300 41044502004A BOOM/4 SECT.**

Pos No.	Parts No	Parts Name	Qty	Unit	Technical Data	Serial
37	90302041001	WASHER,SPRING	2		10	
38	36016030500	PLATE	1			
	36016030500	PLATE	1			
39	36016030300	PLUNGER	1			
	36016030300	PLUNGER	1			
40	91002801600	O-RING	2		1B P16	
	91002801600	O-RING	2		1B P16	
41	91411001600	RING,BACKUP	1		P16	
	91411001600	RING,BACKUP	1		P16	
42	36016030351	SEAL	1			
	36016030351	SEAL	1			
43	80602110200	RING,RITAINING	1		R20	
	80602110200	RING,RITAINING	1		R20	
44	80720102520	PIN,SPRING	2			
	80720102520	PIN,SPRING	2			
45	90303071401	WASHER,PLAIN	4		14	
	90303071401	WASHER,PLAIN	4		14	
46	36016030600	COVER,ROD	1			
	36016030600	COVER,ROD	1			
57	90302041001	WASHER,SPRING	2		10	
	90302041001	WASHER,SPRING	2		10	
61	36016039510	CYLINDER,TELESCOPING (NO.1)	1			
	36016039510	CYLINDER,TELESCOPING (NO.1)	1			
62	36018329530	CYLINDER ASSY,TELESCOPING (NO.1)	1			DF6174
	36018329521	CYLINDER ASSY,TELESCOPING (NO.2)	1			
	36018329521	CYLINDER ASSY,TELESCOPING (NO.2)	1			
71	36016039900	PACKING SET	1		45X60	
	36016039900	PACKING SET	1		45X60	
81	36016039920	PACKING SET	1		45X60	
	36016039920	PACKING SET	1		45X60	
95	91002802201	O-RING	1		1B P22A	
	91002802201	O-RING	1		1B P22A	
97	91001100700	O-RING	1		1A P7	
	91001100700	O-RING	1		1A P7	
98	91411000700	RING,BACKUP	2		P7	
	91411000700	RING,BACKUP	2		P7	
111	91001101400	O-RING	2		1A P14	
	91001101400	O-RING	2		1A P14	
112	37001201560	SPRING	1			
	37001201560	SPRING	1			
114	36625270200	ROD	1			DE3538
	36625270200	ROD	1			DE3538
	36622730200	ROD	1			DF6174
115	91001100600	O-RING	1		1A P6	
	91001100600	O-RING	1		1A P6	
116	91411000600	RING,BACKUP	1		P6	
	91411000600	RING,BACKUP	1		P6	
117	36622730400	CAP	1			
	36622730400	CAP	1			
119	91001202500	O-RING	1		1A G25	
	91001202500	O-RING	1		1A G25	
120	91002801500	O-RING	1		1B P15	
	91002801500	O-RING	1		1B P15	
121	90131708025	BOLT,HEXAGON SOCKET	4		M8X25	
	90131708025	BOLT,HEXAGON SOCKET	4		M8X25	
122	80316090020	PLUG	1		KKT PT1/8	
	80316090020	PLUG	1		KKT PT1/8	
123	36622730500	SPACER	1		L=5	
	36622730500	SPACER	1		L=5	
300	36018320001	CYLINDER ASSY,TELESCOPING	1			
	36018320001	CYLINDER ASSY,TELESCOPING	1			

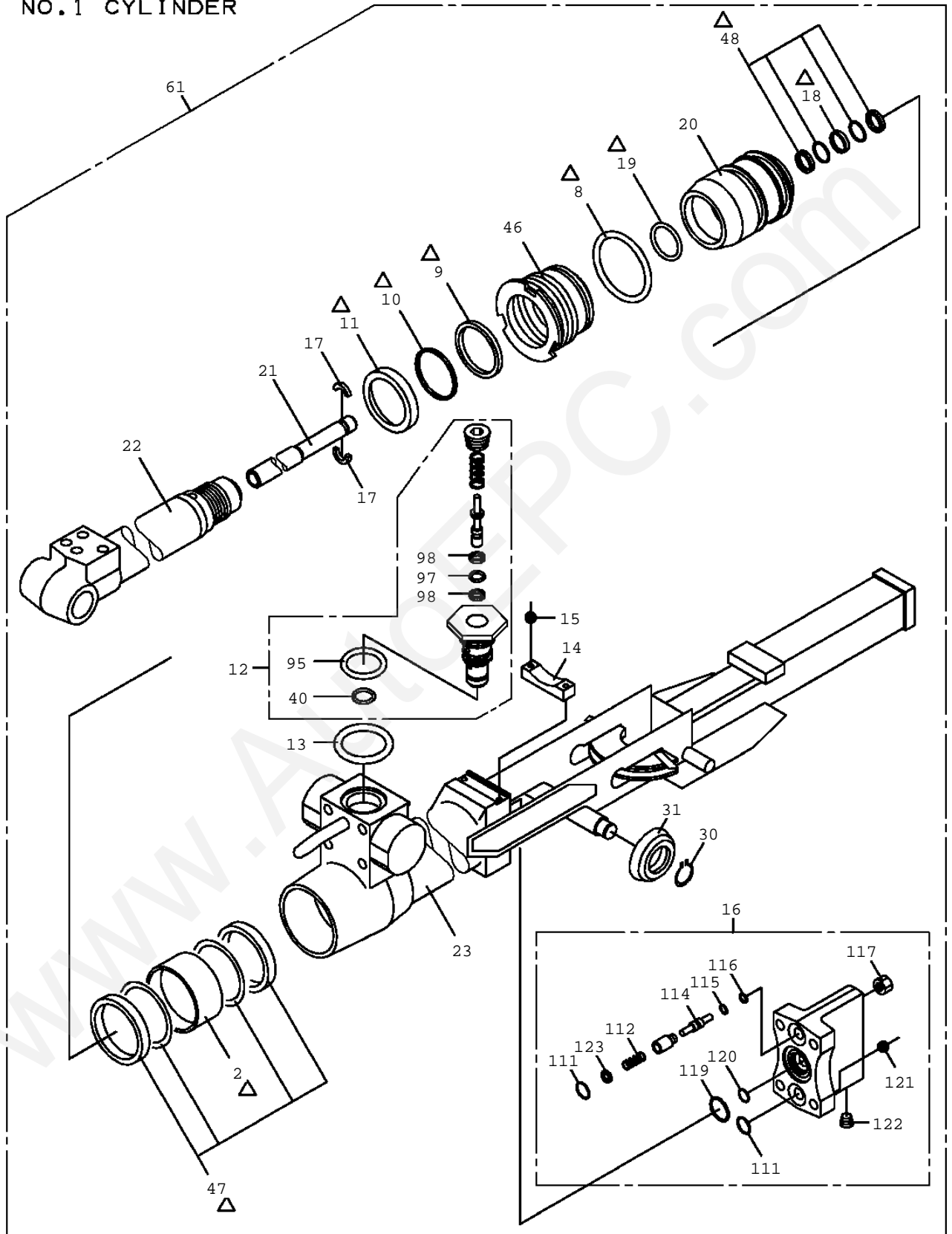
TM-ZE300 41044502004A BOOM/4 SECT.  
PC6470041-00 CYLINDER ASSY,TELESCOPING



展開図有  
ILLUSTRATED BREAKDOWN NO.61・62?

TM-ZE300 41044502004A BOOM/4 SECT.  
 PC6470041-00 CYLINDER ASSY,TELESCOPING

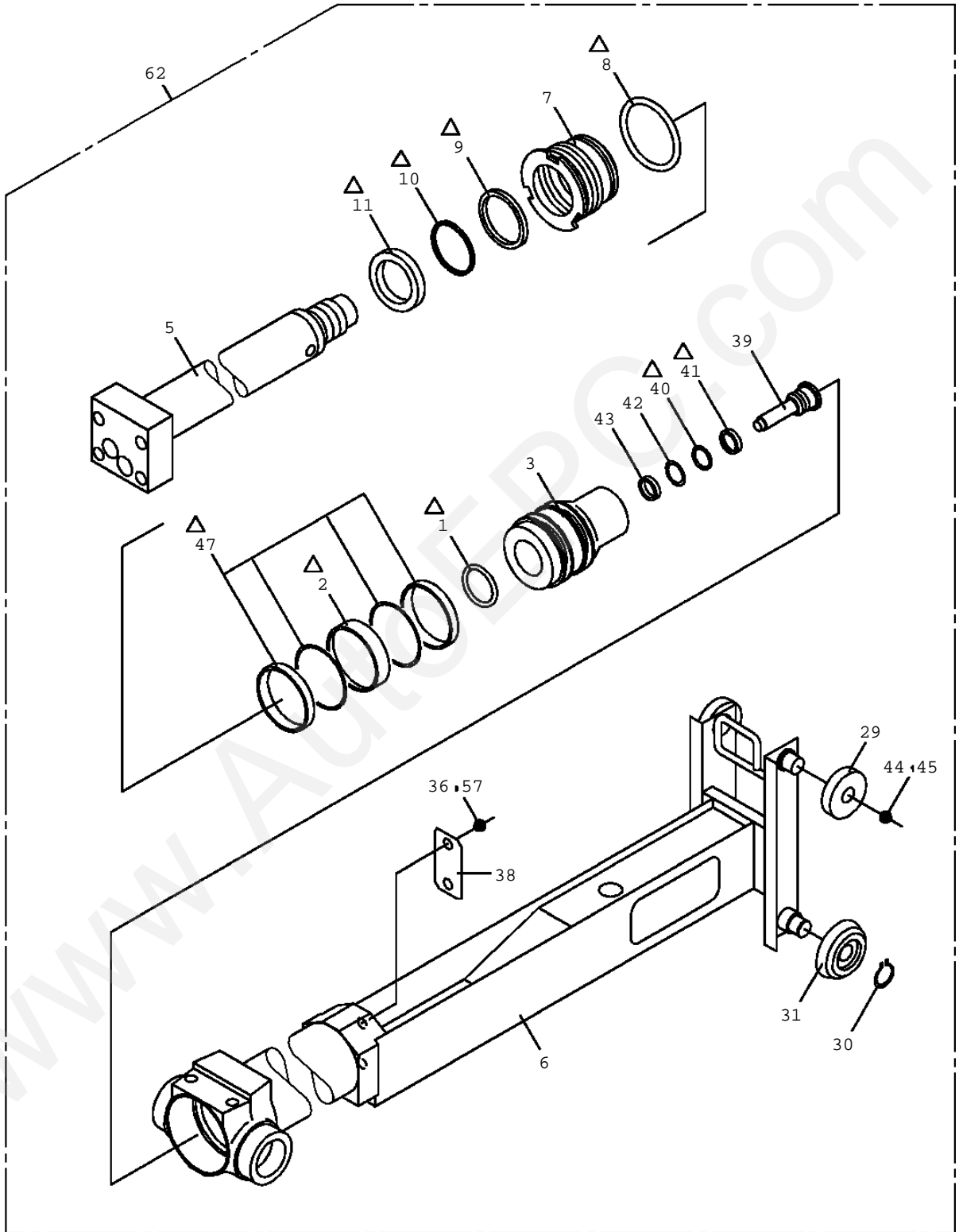
NO.1 CYLINDER



Δ:PACKING SET KEY NO.71 (KEY NO.2,8,9,10,11,18,19,47,48 )

TM-ZE300 41044502004A BOOM/4 SECT.  
PC6470041-00 CYLINDER ASSY,TELESCOPING

NO.2 CYLINDER

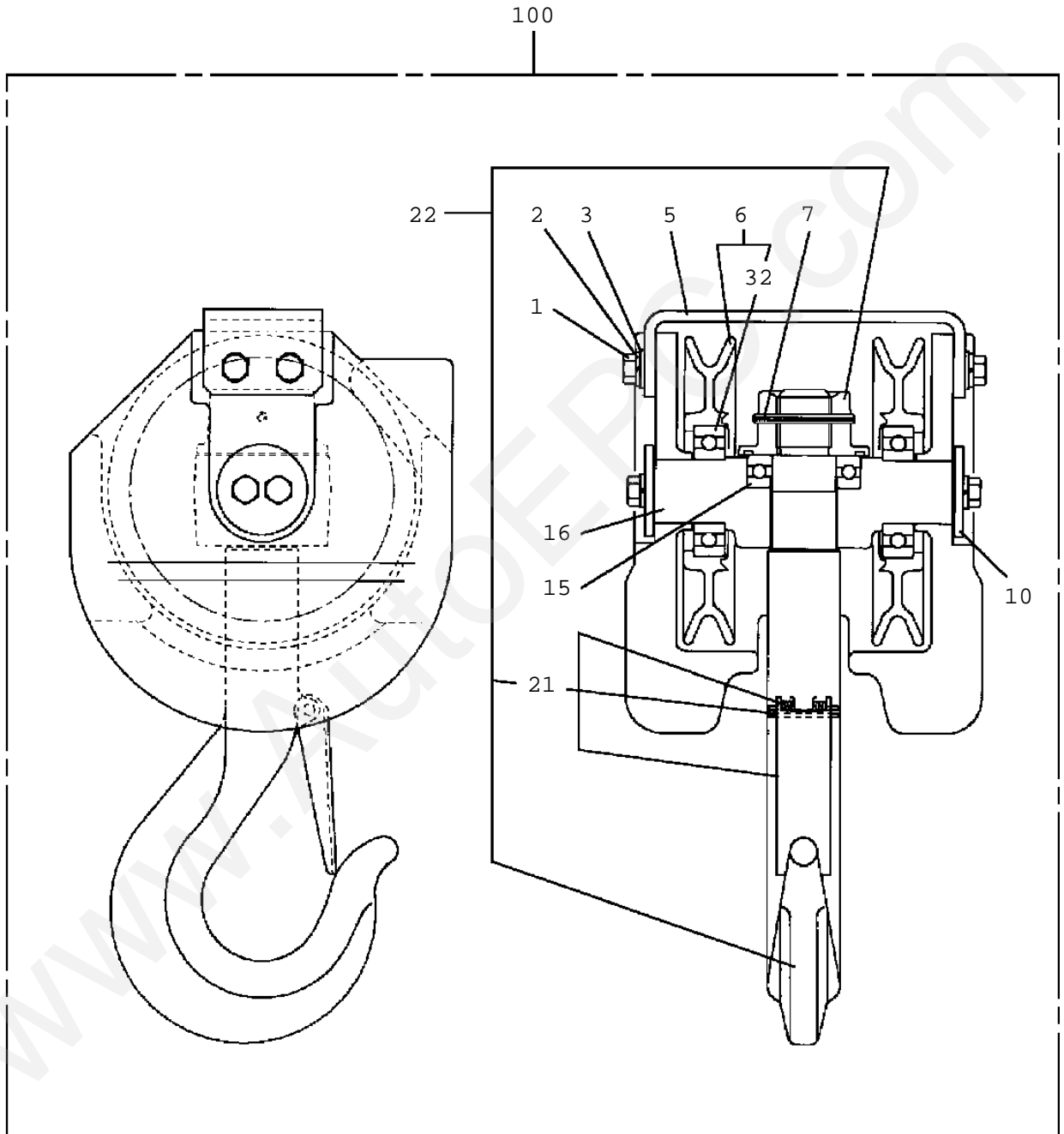


△:PACKING SET KEY NO.81 (KEY NO.1,2,8,9,10,11,40,41,47 )

**TM-ZE300 41044502004A BOOM/4 SECT.**

Pos No.	Parts No	Parts Name	Qty	Unit	Technical Data
1	91002802800	O-RING	1		1B P28
2	91303406000	BEARING,PLAIN	2		
3	36018870500	PISTON	1		
4	36605200001	VALVE ,COUNTERBALANCE	1		
5	36016034000	ROD	1		
6	36018321000	CYLINDER	1		
7	36016030100	COVER,ROD	1		
8	91002905500	O-RING	2		1B G55
9	91694004500	PACKING	2		
10	91410204502	RING,BACKUP	2		
11	91660004501	SEAL ,DUST	2		
12	36012150700	VALVE ,CHECK	1		
13	91001103800	O-RING	1		1A P38
14	37002008830	PLATE ,SLIDE	1		
15	80171304012	SCREW ,MACHINE	2		M4X12
16	36625270000	VALVE ,CHECK	1		
	36624620000	VALVE ,CHECK	1		
17	36010060340	STOPPER	2		
18	91302801810	BEARING,PLAIN	1		
19	91002903500	O-RING	1		1B G35
20	36018870900	PISTON	1		
21	36014320100	PIPE	1		
22	36016032000	ROD	1		
23	36016033000	CYLINDER	1		
24	90172112065	BOLT,HEXAGON SOCKET	3		M12X65
25	90172108014	BOLT,HEXAGON SOCKET	2		M8X14
26	90302040801	WASHER,SPRING	2		8
27	31211390200	SUPPORT	1		
28	91001101400	O-RING	2		1A P14
29	37001110540	ROLLER	2		
30	80601110150	RING,RITAINING	4		15
31	37001103490	ROLLER ASSY	4		
32	90201781200	NUT	1		M12
33	90141812070	BOLT ,STUD	1		M12X70
34	90302041201	WASHER ,SPRING	1		12
35	90171110040	BOLT	2		M10X40
36	90172110016	BOLT,HEXAGON SOCKET	2		M10X16
37	90302041001	WASHER,SPRING	2		10
38	36016030500	PLATE	1		
39	36016030300	PLUNGER	1		
40	91002801600	O-RING	2		1B P16
41	91411001600	RING,BACKUP	1		P16
42	36016030351	SEAL	1		
43	80602110200	RING,RITAINING	1		R20
44	80720102520	PIN,SPRING	2		
45	90303071401	WASHER,PLAIN	4		14
46	36016030600	COVER,ROD	1		
47	91350306000	PACKING ASSY (PACKING X2+BACKUP RING X2)	2		
48	91350401800	PACKING ASSY (PACKING X2+BACKUP RING X2)	1		
57	90302041001	WASHER,SPRING	4		10
61	36018969510	CYLINDER ASSY,TELESCOPING (NO.1)	1		
	36018969530	CYLINDER ASSY,TELESCOPING (NO.1)	1		
62	36018969520	CYLINDER ASSY,TELESCOPING (NO.2)	1		
71	36018959900	PACKING SET	1		45X60
81	36018969900	PACKING SET	1		45X60
95	91002802201	O-RING	1		1B P22A
97	91001100700	O-RING	1		1A P7
98	91411000700	RING,BACKUP	2		P7
111	91001101400	O-RING	2		1A P14
112	37001201560	SPRING	1		
114	36625270200	ROD	1		
	36622730200	ROD	1		
115	91001100600	O-RING	1		1A P6
116	91411000600	RING,BACKUP	1		P6
117	36622730400	CAP	1		
119	91001202500	O-RING	1		1A G25
120	91002801500	O-RING	1		1B P15
121	90131708025	BOLT,HEXAGON SOCKET	4		M8X25
122	80316090020	PLUG	1		KKT PT1/8
123	36622730500	SPACER	1		L=5
300	36018960000	CYLINDER ASSY,TELESCOPING	1		

TM-ZE300 41044502004A BOOM/4 SECT.  
PF1050316-03 HOOK (SHEAVE 2 PC'S)



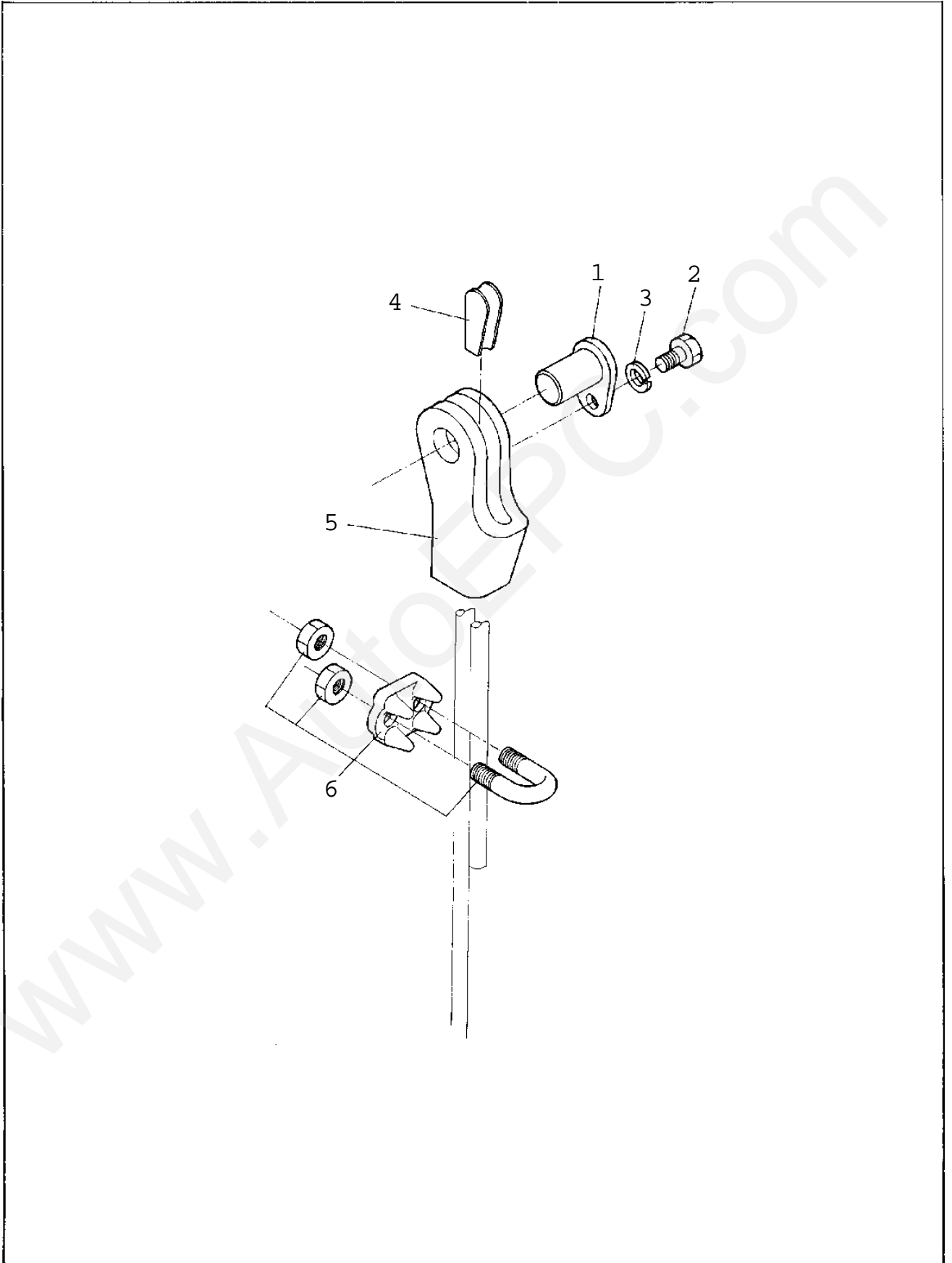


**TM-ZE300 41044502004A BOOM/4 SECT.**

Pos No.	Parts No	Parts Name	Qty	Unit	Technical Data	Serial No (Start)
1	90191510020	BOLT,HEXAGON SOCKET	8		M10X20	
2	90302041001	WASHER,SPRING	8		10	
3	90303071001	WASHER,PLAIN	4		10	
5	36094495100	SUPPORT	1			
6	37001008670	SHEAVE ASSY	2			
7	80720105056	PIN,SPRING	1		5X56	
10	36093865700	COVER	2			
15	80500051207	BEARING,BALL	1			
16	36093865600	TRUNNION	1			
21	36090299510	STOPPER ASSY	1			
22	36093865010	HOOK ASSY	1			
32	36093861100	BEARING,BALL	2			
100	36094490000	HOOK (SHEAVE 2 PC'S)	1			

www.AutoEPC.com

TM-ZE300 41044502004A BOOM/4 SECT.  
PF1090022-01 SOCKET,ROPE

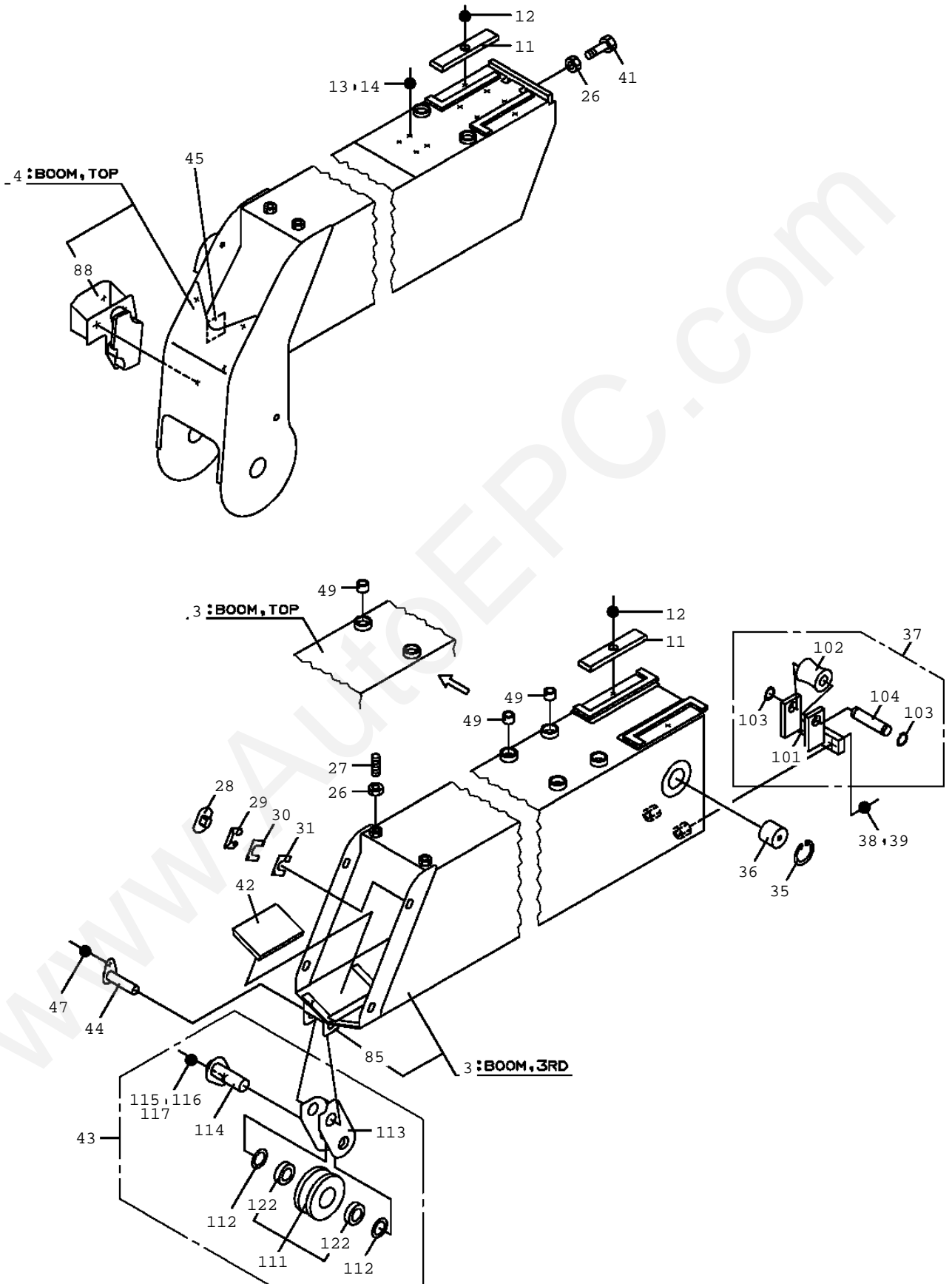


**TM-ZE300 41044502004A BOOM/4 SECT.**

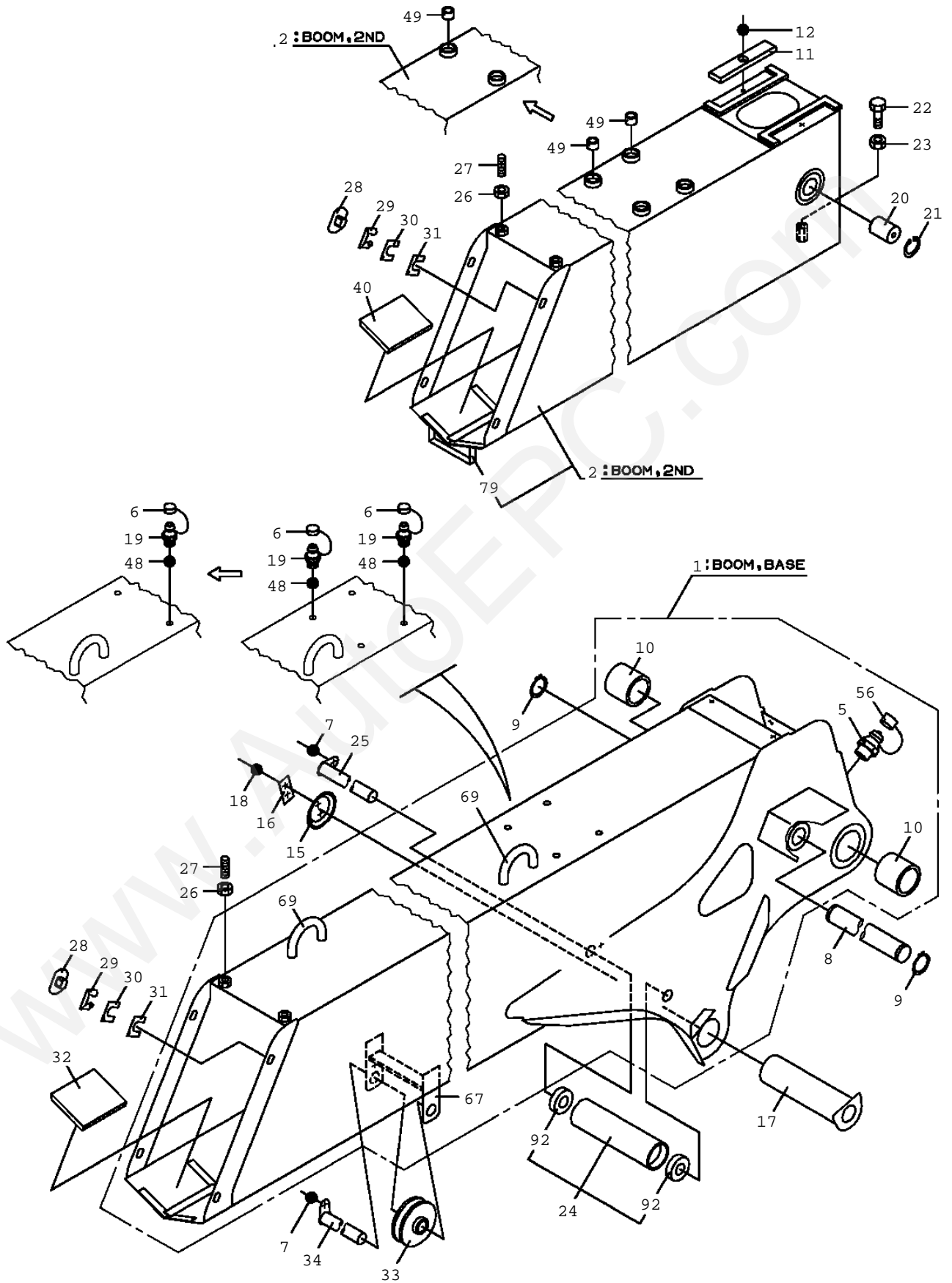
Pos No.	Parts No	Parts Name	Qty	Unit	Technical Data	Serial No (Start)	Serial
1	37000105061	PIN	1				
2	90101208014	BOLT	1		M8X14		
3	90302040801	WASHER, SPRING	1		8		
4	37002600190	WEDGE	1		8		
5	37002600100	SOCKET, ROPE	1		8&9		
6	83151410802	CLIP	1				

www.AutoEPC.com

TM-ZE300 41044502004A BOOM/4 SECT.  
PG1010989-01 BOOM



TM-ZE300 41044502004A BOOM/4 SECT.  
PG1010989-01 BOOM



**TM-ZE300 41044502004A BOOM/4 SECT.**

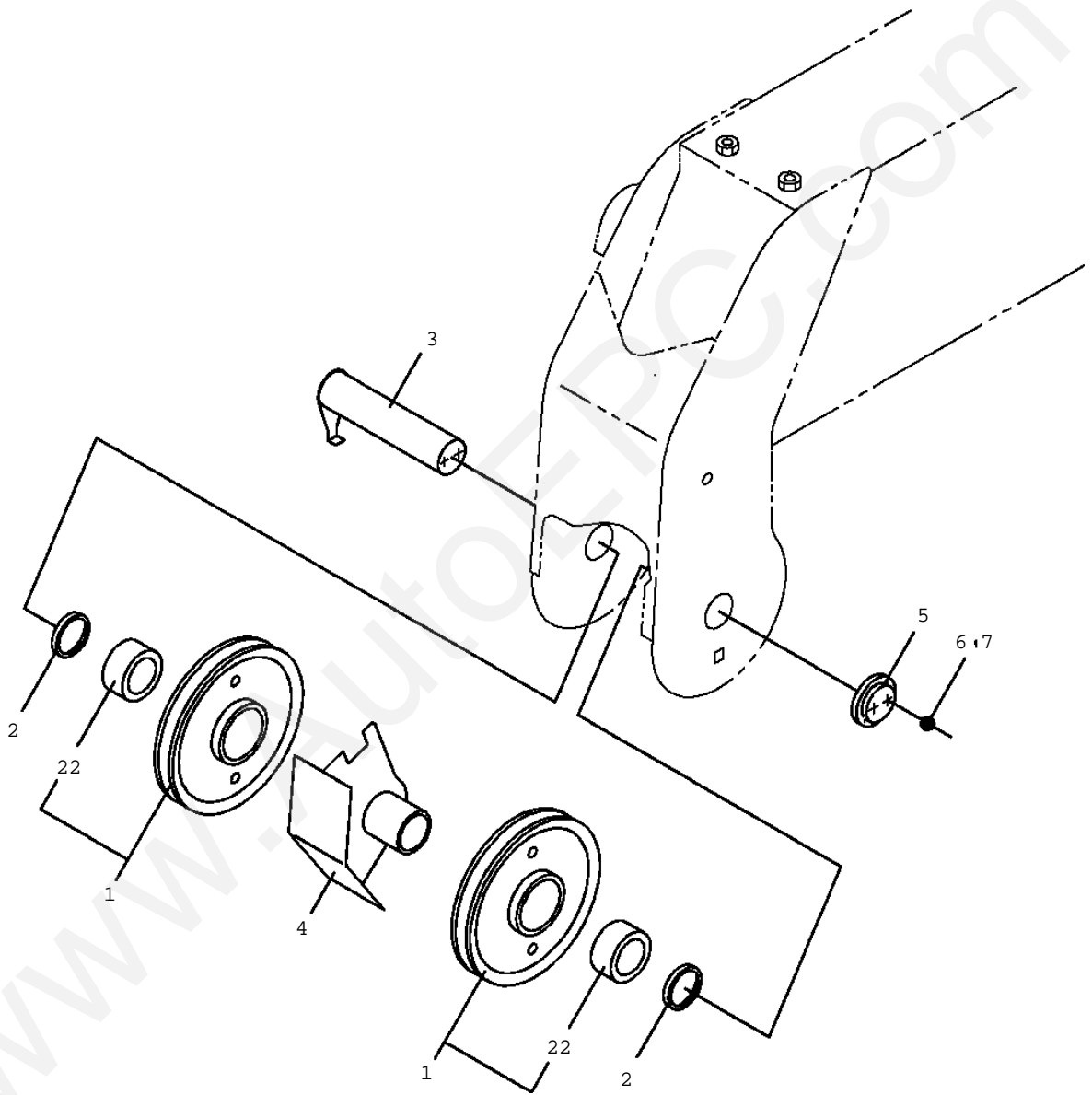
Pos No.	Parts No	Parts Name	Qty	Unit	Technical Data	Serial No (
1	31205329510	BOOM,BASE	1			
	31205329511	BOOM,BASE	1			DE4802
2	31205322000	BOOM,2ND	1			
	31205322001	BOOM,2ND	1			DD7252
	31205322002	BOOM,2ND	1			DE4802
3	31205323000	BOOM,3RD	1			
	31205323001	BOOM,3RD	1			DD7252
	31205323002	BOOM,3RD	1			DE4802
4	31205324000	BOOM, TOP	1			
5	82456101000	NIPPLE,GREASE	1		A-PT1/8	
6	82400000459	CAP	4			
	82400000459	CAP	2			DE4802
7	90186210010	BOLT, FLANGE	2		M10X10	
8	37000173790	PIN	1			
9	80601110300	RING,RITAINING	2		S30	
10	37000403580	BEARING, PLAIN (DAIDO METAL)	2			
	37000402780	BEARING, PLAIN (NDC)	2			
11	37002007410	PLATE, SLIDE	6			
12	90180206010	BOLT, BUTTON	6		M6X10	
13	90302040801	WASHER, SPRING	6		8	
14	90180208012	BOLT, BUTTON	6		M8X12	
15	31230412000	COVER	1			
16	37000527860	PLATE	1			
17	37000205220	PIN	1			
	37000204110	PIN	1			
18	90101210016	BOLT	2		M10X16	
19	82455106000	NIPPLE,GREASE	4		A-M6F FE	
20	37000159590	PIN	2			
21	80602110300	RING,RITAINING	2		R30	
22	90101212030	BOLT	1		M12X30	
23	90203201200	NUT	1		M12	
24	37001109480	ROLLER ASSY	1			
	37001112530	ROLLER ASSY	1			DE3239
25	37000126850	PIN	1			
26	90201201000	NUT	8		M10	
27	90710710350	SCREW, SET	6		M10X35	
28	31201770100	PLATE, SLIDE	12		T=3.0	
29	31201580100	SHIM (FOR FIXED)	12			
30	31200713400	SHIM	N		T=0.6	
31	32200353500	SHIM	N		T=1.2	
32	37002006610	PLATE, SLIDE	2			
33	37001007770	SHEAVE	1			
34	37000109780	PIN	1			
35	80602110350	RING,RITAINING	2		R35	
36	37000109640	PIN	2			
37	31202510300	ROLLER ASSY	1			
38	90172110020	BOLT, HEXAGON SOCKET	2		M10X20	
39	90302401001	WASHER, SPRING	2		10	
40	37002017150	PLATE, SLIDE	2			
41	90171210035	BOLT	2		M10X35	
42	37002017450	PLATE, SLIDE	2			
43	31202510550	ROLLER ASSY	1			
44	37000173830	PIN	1			
45	37002213970	PLATE, NAME (MARKING)	1			
47	90186208010	BOLT, FLANGE	1		M8X10	
48	90303070601	WASHER, PLAIN	4		6	
	90303070601	WASHER, PLAIN	2		6	DE4802
49	37000314910	SPACER	8		L=13	
	37000314910	SPACER	4		L=13	DE4802
56	82400000459	CAP	1			
67	31202518030	SUPPORT ASSY	1			
69	31201571100	SUPPORT	2			
79	31202512110	GUIDE	1			
85	31205323300	SUPPORT	1			
	31205323301	SUPPORT	1			DF0820
88	31205324300	SUPPORT	1			
92	80530000224	BEARING,BALL (KOYO SEIKO)	2			
	80530000222	BEARING,BALL (NACHI)	2			
	31205310110	BEARING,BALL (IP)	2			DE3239
101	31202510400	SUPPORT	1			
102	37001101900	ROLLER	1			
103	80601110120	RING,RITAINING	2		S12	
104	37000173800	PIN	1			
111	37001107720	ROLLER ASSY	1			

**TM-ZE300 41044502004A BOOM/4 SECT.**

Pos No.	Parts No	Parts Name	Qty	Unit	Technical Data	Serial No (
112	37000538730	PLATE	2			
113	31202510560	SUPPORT	1			
114	37000160580	PIN	1			
115	90101208012	BOLT	1		M8X12	
116	90302040801	WASHER, SPRING	1		8	
117	90303070801	WASHER, PLAIN	1		8	
122	80516006902	BEARING, BALL	2			
	31205310210	BEARING, BALL (IP)	2			DE1549

www.AutoEPC.com

TM-ZE300 41044502004A BOOM/4 SECT.  
PG1010994-00 BOOM (LINK ASSY)



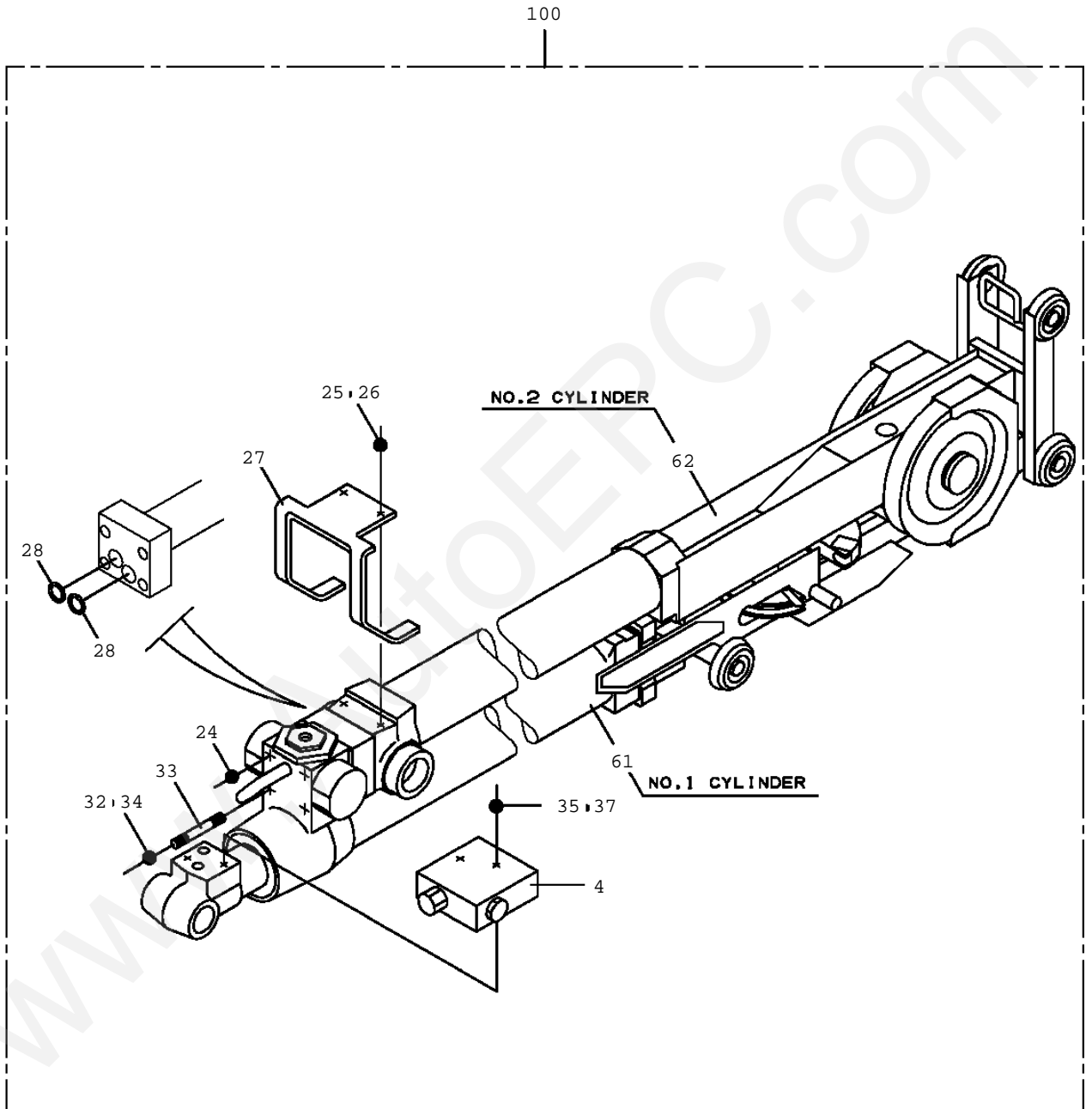


**TM-ZE300 41044502004A BOOM/4 SECT.**

Pos No.	Parts No	Parts Name	Qty	Unit	Technical Data	Serial No (Start)	Serial
1	37001008670	SHEAVE ASSY	2				
2	37000304020	SPACER	2		L=6		
3	37000189920	PIN	1				
4	31205325100	SPACER	1				
5	31200584000	COVER	1				
6	90191210020	BOLT	2		M10X20		
7	90302041001	WASHER, SPRING	2		10		
22	36093861100	BEARING, BALL	2				

www.AutoEPC.com

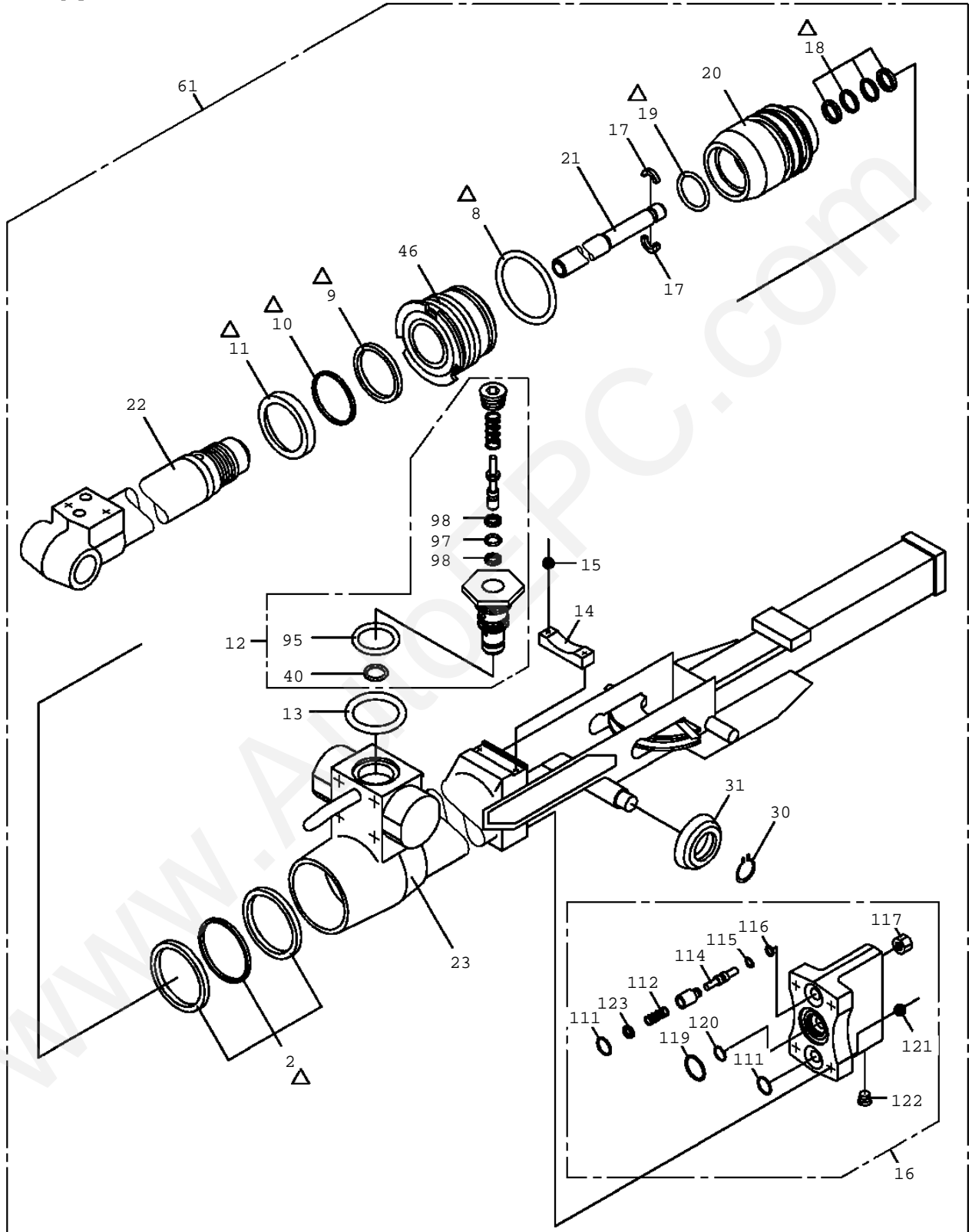
TM-ZE300 41044502004A BOOM/4 SECT.  
PG1050677-01 CYLINDER ASSY, TELESCOPING



展開図有  
ILLUSTRATED BREAKDOWN NO. 61, 62

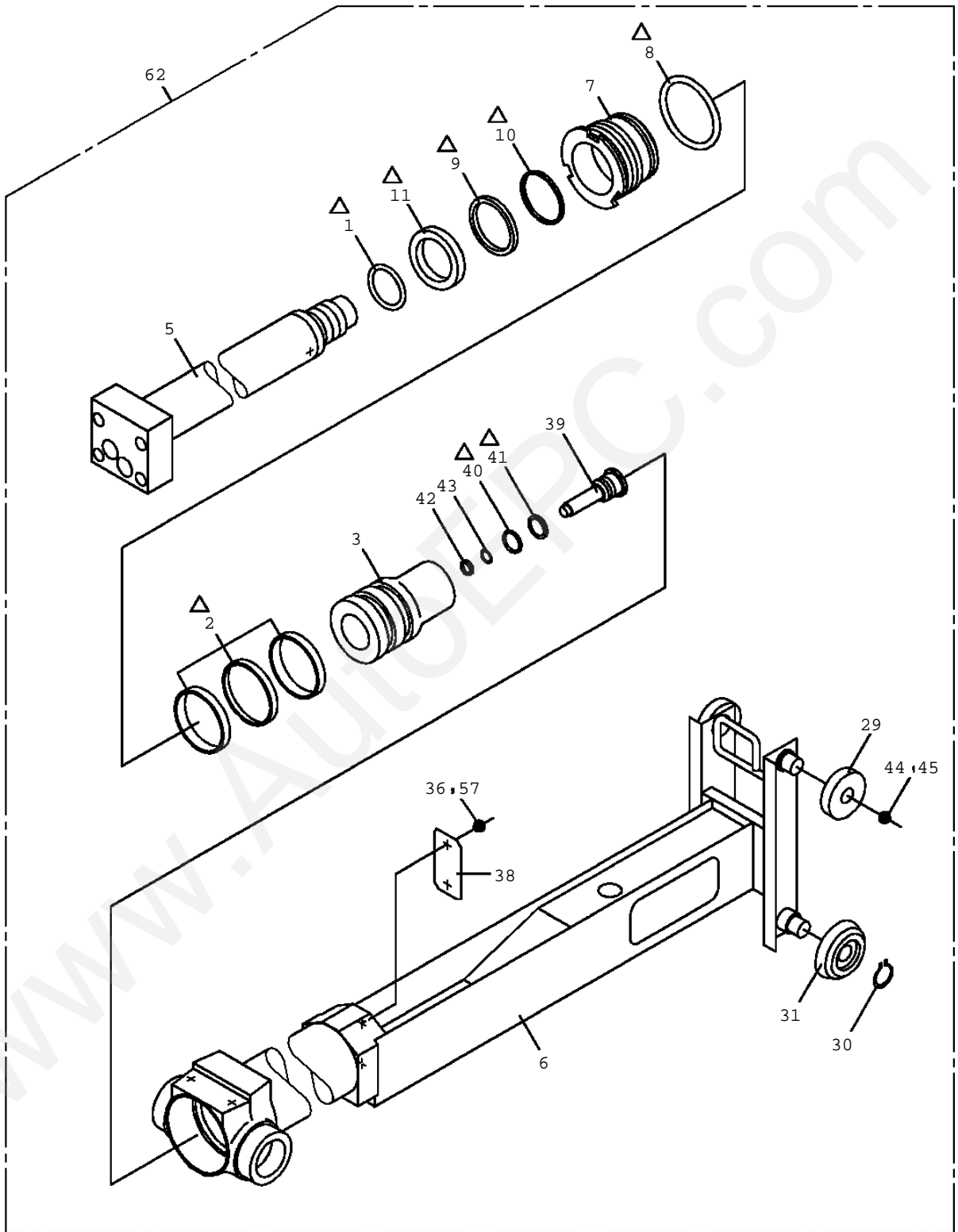
TM-ZE300 41044502004A BOOM/4 SECT.  
 PG1050677-01 CYLINDER ASSY,TELESCOPING

NO.1 CYLINDER



△:PACKING SET KEY NO.71 (KEY NO.2,8,9,10,11,18,19 )

NO.2 CYLINDER

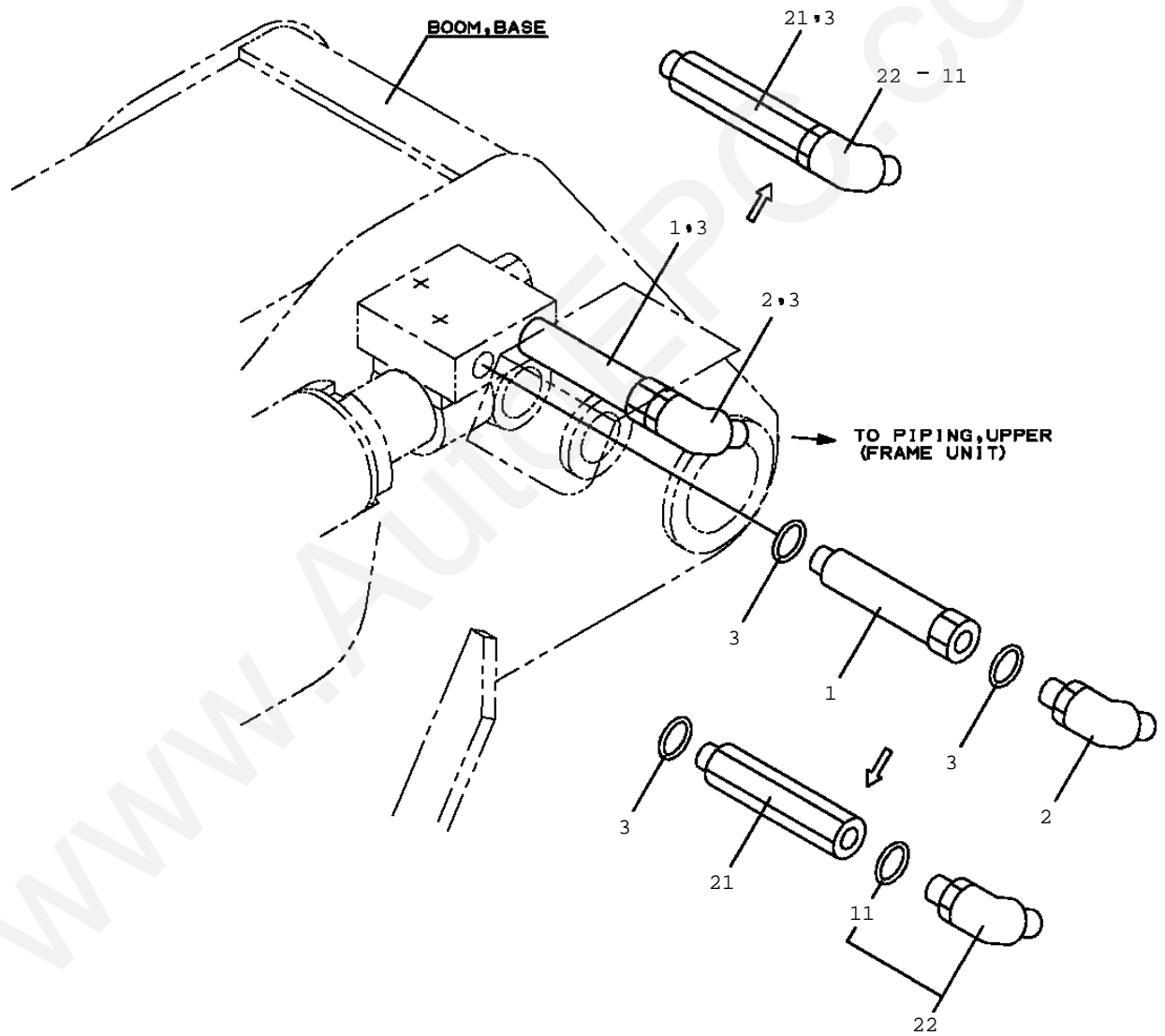


△:PACKING SET KEY NO.81 (KEY NO.1,2,8,9,10,11,40,41 )

**TM-ZE300 41044502004A BOOM/4 SECT.**

Pos No.	Parts No	Parts Name	Qty	Unit	Technical Data	Serial
1	91002802800	O-RING	1		1B P28	
2	91350206000	BEARING,PLAIN (WITH PACKINGX2)	2			
3	36016030400	PISTON	1			
4	36605200001	VALVE ,COUNTERBALANCE	1			
5	36016034000	ROD	1			
6	36018321000	CYLINDER	1			
7	36016030100	COVER,ROD	1			
8	91002905500	O-RING	2		1B G55	
9	91694004500	PACKING	2			
10	91410204502	RING ,BACKUP	2			
11	91660004501	SEAL ,DUST	2			
12	36012150700	VALVE ,CHECK	1			
13	91001103800	O-RING	1		1A P38	
14	37002008830	PLATE ,SLIDE	1			
15	80171304012	SCREW ,MACHINE	2		M4X12	
16	36624620000	VALVE ,CHECK	1			
	36625270000	VALVE ,CHECK	1			
17	36010060340	STOPPER	2			DE3538
18	37000402120	BEARING,PLAIN (WITH PACKINGX2)	1			
19	91002903500	O-RING	1		1B G35	
20	36013793000	PISTON	1			
21	36014320100	PIPE	1			
22	36016032000	ROD	1			
23	36016033000	CYLINDER	1			
24	90172112065	BOLT,HEXAGON SOCKET	3		M12X65	
25	90172108014	BOLT,HEXAGON SOCKET	2		M8X14	
26	90302040801	WASHER ,SPRING	2		8	
27	31211390200	SUPPORT	1			
28	91001101400	O-RING	2		1A P14	
29	37001110540	ROLLER	2			
30	80601110150	RING ,RITAINING	4		15	
31	37001103490	ROLLER ASSY	4			
32	90201781200	NUT	1		M12	
33	90141812070	BOLT ,STUD	1		M12X70	
34	90302041201	WASHER ,SPRING	1		12	
35	90171110040	BOLT	2		M10X40	
36	90172110016	BOLT,HEXAGON SOCKET	2		M10X16	
37	90302041001	WASHER,SPRING	2		10	
38	36016030500	PLATE	1			
39	36016030300	PLUNGER	1			
40	91002801600	O-RING	2		1B P16	
41	91411001600	RING ,BACKUP	1		P16	
42	36016030350	SEAL	1			
43	80640100160	RING ,RITAINING	1		IRTW-16	
44	80720102520	PIN ,SPRING	2			
45	90303071401	WASHER ,PLAIN	4		14	
46	36016030600	COVER,ROD	1			
57	90302041001	WASHER,SPRING	2		10	
61	36016039510	CYLINDER,TELESCOPING (NO.1)	1			
62	36018329520	CYLINDER ASSY,TELESCOPING (NO.2)	1			
71	36016039900	PACKING SET	1		45X60	
81	36016039920	PACKING SET	1		45X60	
95	91002802201	O-RING	1		1B P22A	
97	91001100700	O-RING	1		1A P7	
98	91411000700	RING ,BACKUP	2		P7	
100	36018320000	CYLINDER ASSY ,TELESCOPING	1			
111	91001101400	O-RING	2		1A P14	
112	37001201560	SPRING	1			
114	36622730200	ROD	1			
	36625270200	ROD	1			
115	91001100600	O-RING	1		1A P6	DE3538
116	91411000600	RING ,BACKUP	1		P6	
117	36622730400	CAP	1			
119	91001202500	O-RING	1		1A G25	
120	91002801500	O-RING	1		1B P15	
121	90131708025	BOLT,HEXAGON SOCKET	4		M8X25	
122	80316090020	PLUG	1		KKT PT1/8	
123	36622730500	SPACER	1		L=5	

TM-ZE300 41044502004A BOOM/4 SECT.  
PG1200149-02 PIPING,TELESCOPING

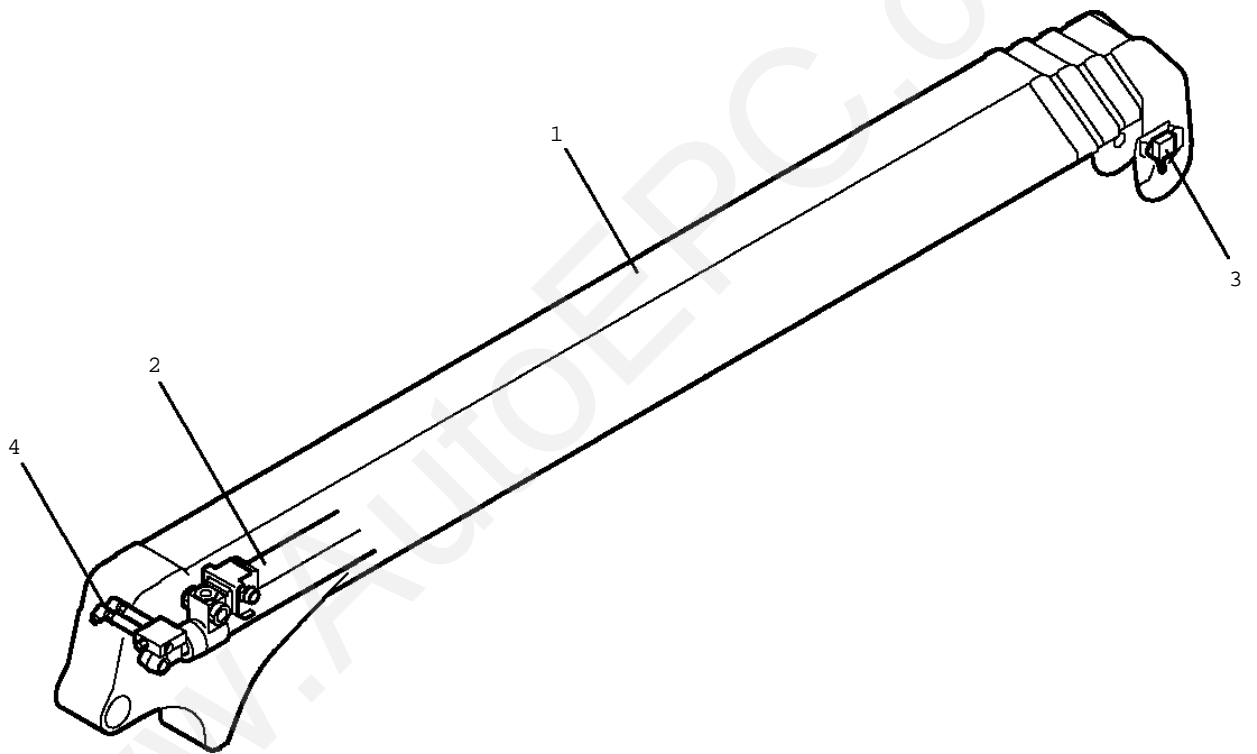


**TM-ZE300 41044502004A BOOM/4 SECT.**

Pos No.	Parts No	Parts Name	Qty	Unit	Technical Data	Serial No (Start)	Serial No
2	80481103030	JOINT	2		L,G3/8-G3/8		
3	91002801400	O-RING	4		1B P14		
21	37000928940	JOINT	2				

www.AutoEPC.com

TM-ZE300 41044502004A BOOM/4 SECT.  
PG2020002-00 BOOM UNIT



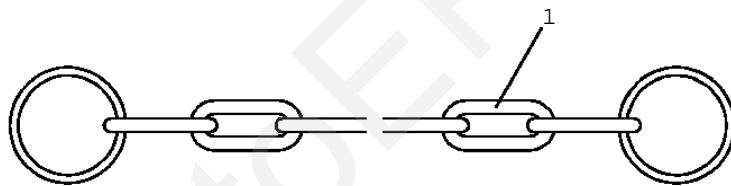


**TM-ZE300 41044502004A BOOM/4 SECT.**

Pos No.	Parts No	Parts Name	Qty	Unit	Technical Data	Serial No (Start)
1	(*****)	BOOM	1			
2	31212170000	TELESCOPE ASSY	1			
3	(*****)	DETECTOR, OVERWIND	1			
4	(*****)	PIPING, TELESCOPING	1			

www.AutoEPC.com

TM-ZE300 41044502004A BOOM/4 SECT.  
PH1060326-00 DETECTOR, OVER WIND (CHAIN, FOR WEIGHT)

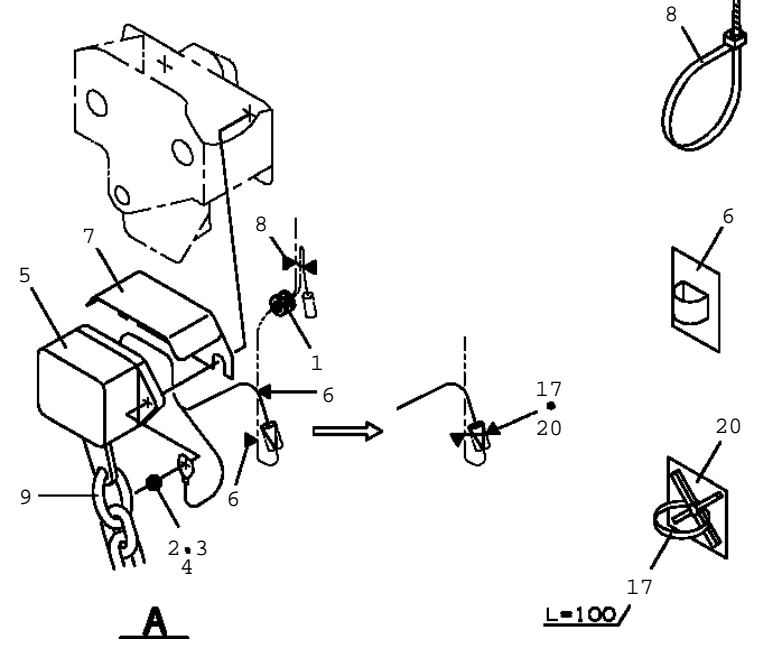
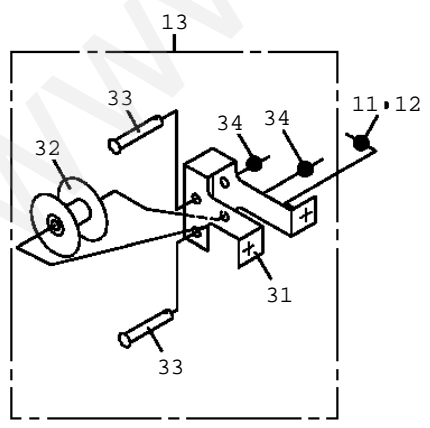
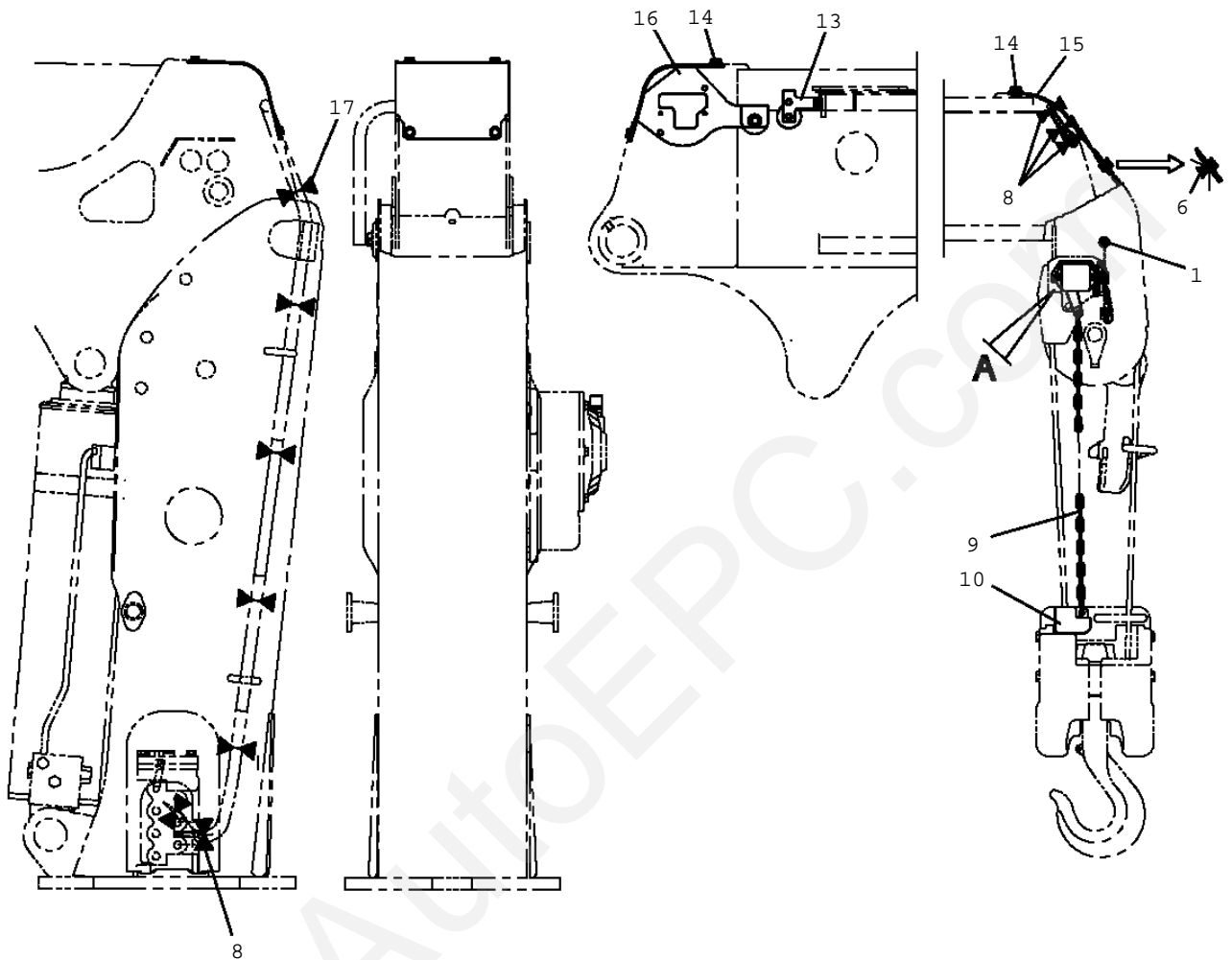


**TM-ZE300 41044502004A BOOM/4 SECT.**

Pos No.	Parts No	Parts Name	Qty	Unit	Technical Data	S
1	31371923500	DETECTOR,OVER WIND (CHAIN,FOR WEIGHT)	1			

www.AutoEPC.com

TM-ZE300 41044502004A BOOM/4 SECT.  
PH1060485-03 DETECTOR, OVERWIND

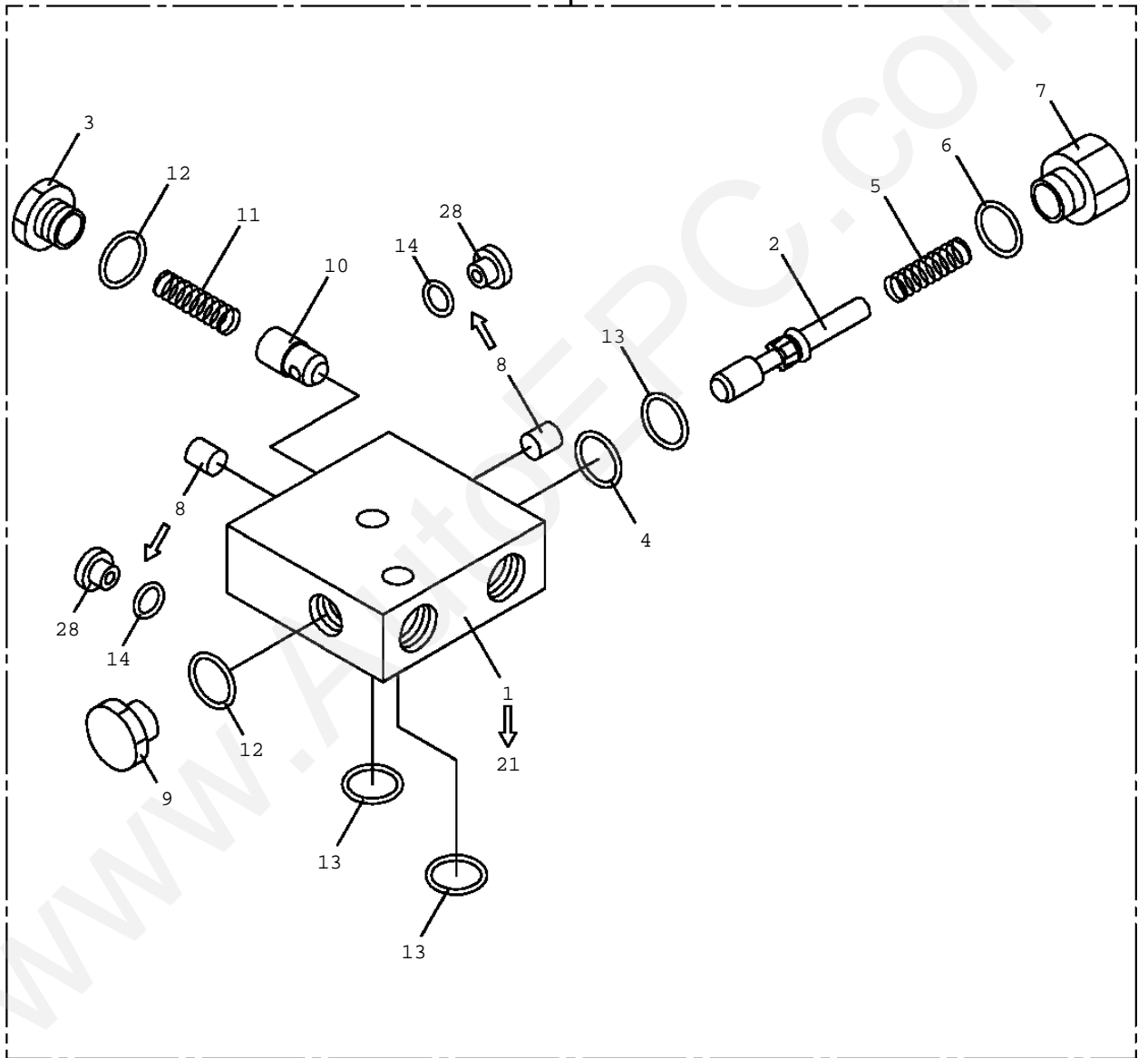


**TM-ZE300 41044502004A BOOM/4 SECT.**

Pos No.	Parts No	Parts Name	Qty	Unit	Technical Data	S
1	14148375000	GROMMET	1			
2	90302040601	WASHER, SPRING	2		6	
3	80182306014	SCREW, MACHINE	2		M6X14	
4	90303070601	WASHER, PLAIN	2		6	
5	31371922000	SWITCH ASSY (ASSY ONLY)	1			
	31373350000	SWITCH ASSY (ASSY ONLY)	1			D
6	82401600504	CLAMP	2			
	82401600504	CLAMP	3			D
	82401600504	CLAMP	1			D
7	31371283000	SUPPORT	1			
8	91810130230	FASTENER	6			
9	31371923500	DETECTOR, OVER WIND (CHAIN, FOR WEIGHT)	1			
10	31371923000	WEIGHT	1			
11	90302040801	WASHER, SPRING	2		8	
12	90172108012	BOLT, HEXAGON SOCKET	2		M8X12	
13	31371921000	ROLLER ASSY	1			
14	90186208010	BOLT, FLANGE	8		M8X10	
15	31372970200	COVER	1			
16	31372971001	SUPPORT ASSY	1			
	31372971002	SUPPORT ASSY	1			D
17	91810130240	FASTENER	5			
	91810130240	FASTENER	6			D
20	91850310305	CLAMP	1			D
31	31371921100	SUPPORT	1			
32	31371921200	ROLLER	1			
33	37000122350	PIN	2			
34	80136320016	PIN, SPLIT	2		2X16	

TM-ZE300 41044502004A BOOM/4 SECT.  
PI1250125-02 VALVE,COUNTERBALANCE

50

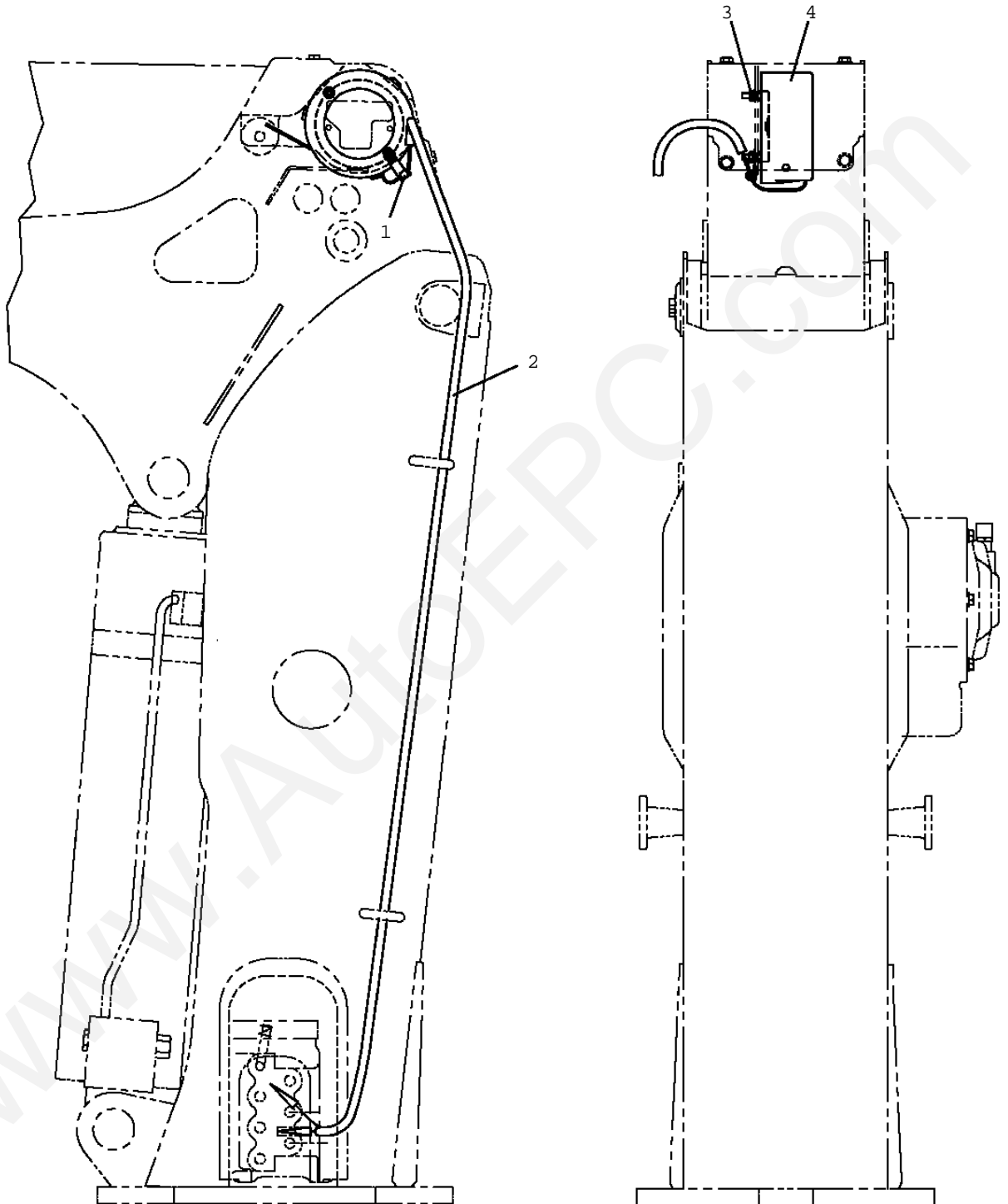


**TM-ZE300 41044502004A BOOM/4 SECT.**

Pos No.	Parts No	Parts Name	Qty	Unit	Technical Data	Serial No (Start)
1	36605200101	BODY	1			
2	36605200201	SPOOL	1			
3	36605200030	PLUG	1			
4	91411001100	RING, BACKUP	1			
5	37001201750	SPRING	1			
6	91002801800	O-RING	1		1B P18	
7	36605200010	PLUG	1			
8	82441810100	PLUG	2			
9	36605200020	PLUG	1			
10	36605200300	POPPET	1			
11	37001201760	SPRING	1			
12	91002801400	O-RING	2		1B P14	
13	91002801100	O-RING	3		1B P11	
14	91002800800	O-RING	2		1B P8	DD9425
21	36605200400	BODY	1			DD9425
28	80316100010	PLUG	2		GPF1/8	DD9425
50	36605200001	VALVE, COUNTERBALANCE	1			

www.AutoEPC.com

TM-ZE300 41044502004A BOOM/4 SECT.  
PN1014568-00 ELEC.ASSY (REEL,CORD)





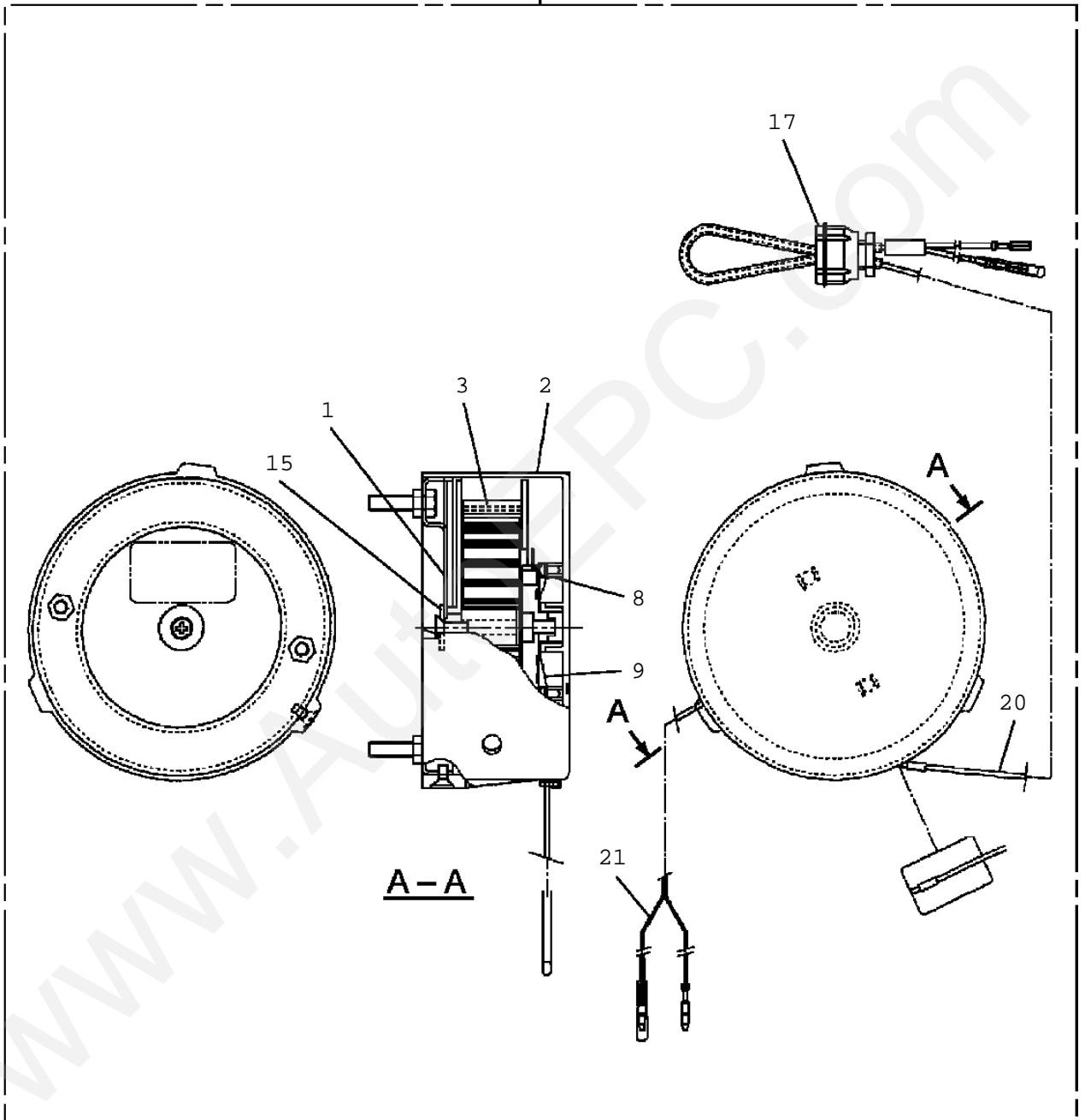
**TM-ZE300 41044502004A BOOM/4 SECT.**

Pos No.	Parts No	Parts Name	Qty	Unit	Technical Data	Serial No (Start)	Serial No (End)
1	82100002052	CLAMP	1				
2	31350951100	COVER	1				
3	90280200600	NUT, FLANGE	2		M6		
4	36161610000	REEL, CORD	1				DE270
	36161610001	REEL ASSY, CORD	1			DE2701	

www.AutoEPC.com

TM-ZE300 41044502004A BOOM/4 SECT.  
PN1350145-01 REEL, CORD

100

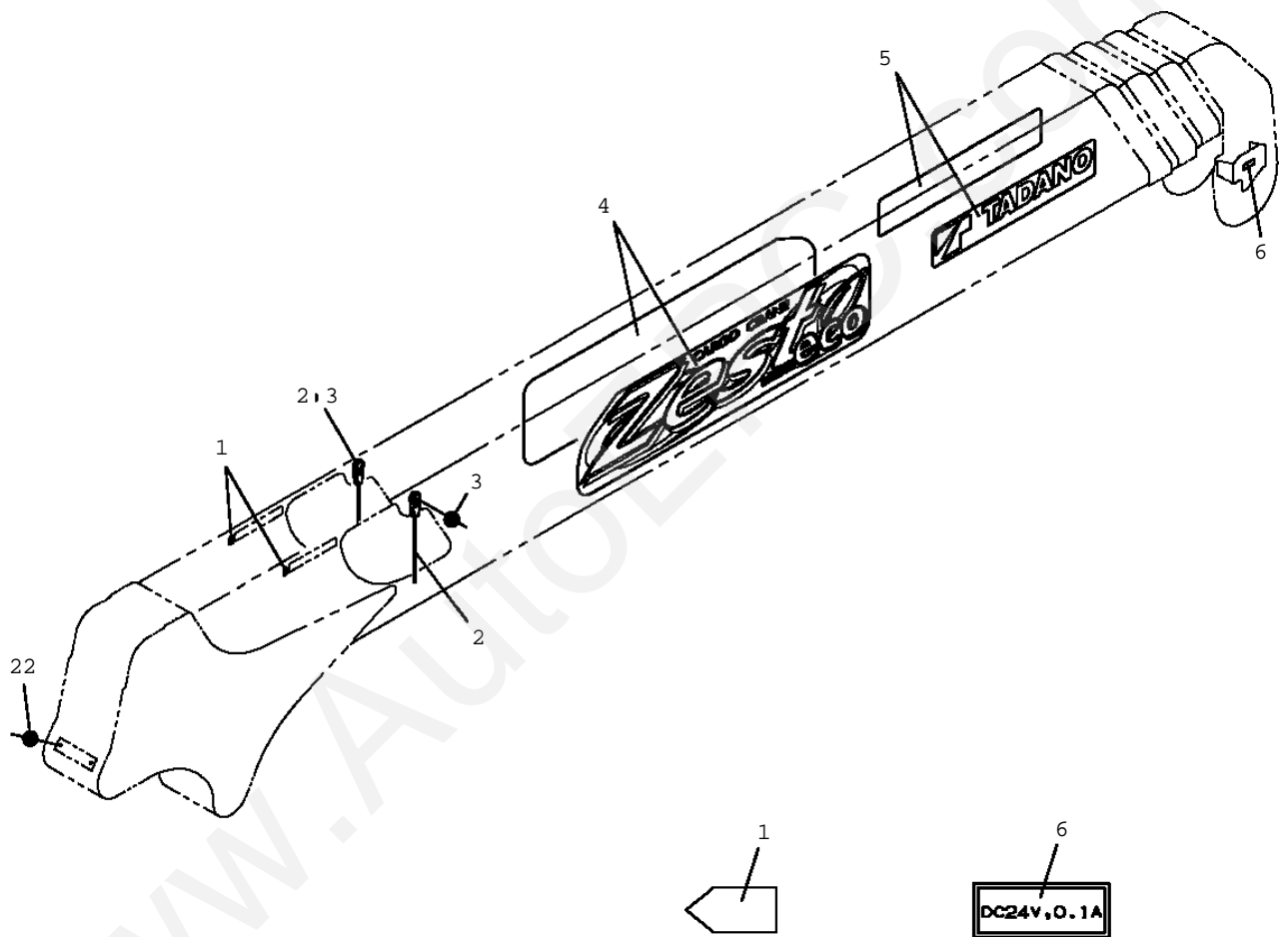


**TM-ZE300 41044502004A BOOM/4 SECT.**

Pos No.	Parts No	Parts Name	Qty	Unit	Technical Data	Serial No (Start)	Serial No (End)
1	36161615010	PLATE (BASE)	1				
2	36161615020	CASE	1				
3	36161615030	SPRING ASSY	1				
8	36161615040	CONTACTOR ASSY	1				
9	36161615050	CONTACTOR ASSY	1				
15	36161615060	WASHER	1				
17	36161495050	LOCK	1				
20	36132385060	CORD (MAIN)	13	M			
21	36132385070	CORD (SUB)	2	M			
100	36161610000	REEL, CORD	1				

www.AutoEPC.com

TM-ZE300 41044502004A BOOM/4 SECT.  
PN5010639-00 NAME PLATE ASSY (ZEST ECO)

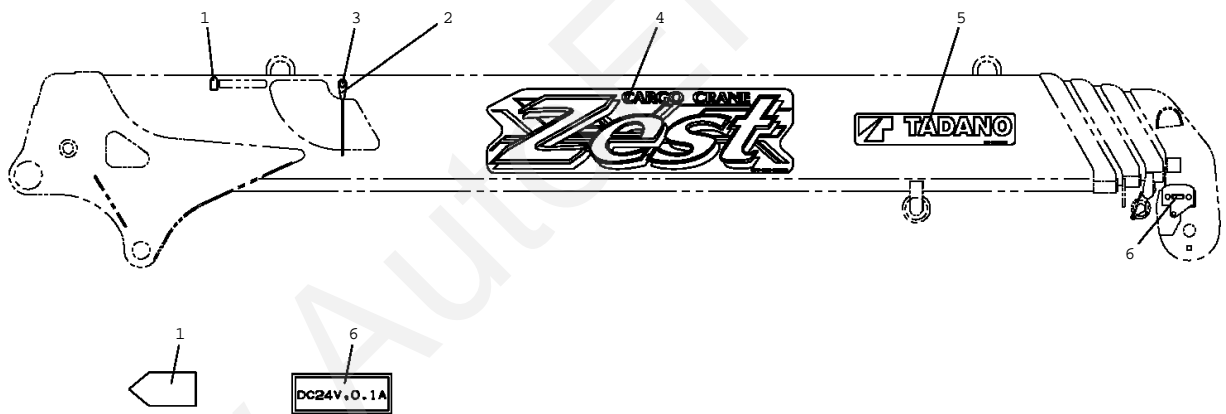


**TM-ZE300 41044502004A BOOM/4 SECT.**

Pos No.	Parts No	Parts Name	Qty	Unit	Technical Data
1	37002206490	PLATE,NAME (GREASE)	2		
2	31392140130	INDICATOR	2		
3	90190000060	BOLT	2		M10X16
4	37002233520	PLATE,NAME (CARGO CRANE ZEST SILENT ECO)	2		
5	37002226670	PLATE,NAME (TADANO)	2		
6	37002212770	PLATE,NAME (DC24V,0.1A)	1		
22	90451700100	SCREW,TAPPING	2		M4X6.4

www.AutoEPC.com

TM-ZE300 41044502004A BOOM/4 SECT.  
PO1015025-01 PLATE ASSY,NAME (CAUTION.LOGO)

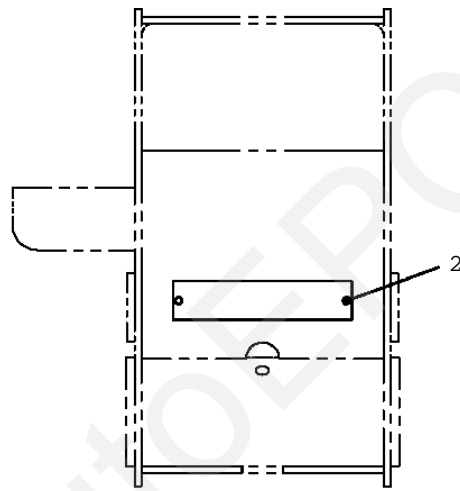


**TM-ZE300 41044502004A BOOM/4 SECT.**

Pos No.	Parts No	Parts Name	Qty	Unit	Technical Data	Serial No (Star
1	37002206490	PLATE,NAME (GREASE)	2			
2	31392140130	INDICATOR	2			
3	90190000060	BOLT	2		M10X16	
4	37002227850	PLATE,NAME (ZEST)	2			
5	37002226670	PLATE,NAME (TADANO)	2			
6	37002212770	PLATE,NAME (DC24V,0.1A)	1			

www.AutoEPC.com

TM-ZE300 41044502004A BOOM/4 SECT.  
PO1015026-00 PLATE ASSY,NAME (STAMP)



BASEブーム後端から見る



**TM-ZE300 41044502004A BOOM/4 SECT.**

Pos No.	Parts No	Parts Name	Qty	Unit	Technical Data	Serial No (Start)	Serial
2	90451700100	SCREW,TAPPING	2		M4X6.4		

www.AutoEPC.com

TM-ZE300 41044502004A BOOM/4 SECT.  
PO1015140-01 PLATE ASSY,NAME (ZEST)+(ECO)

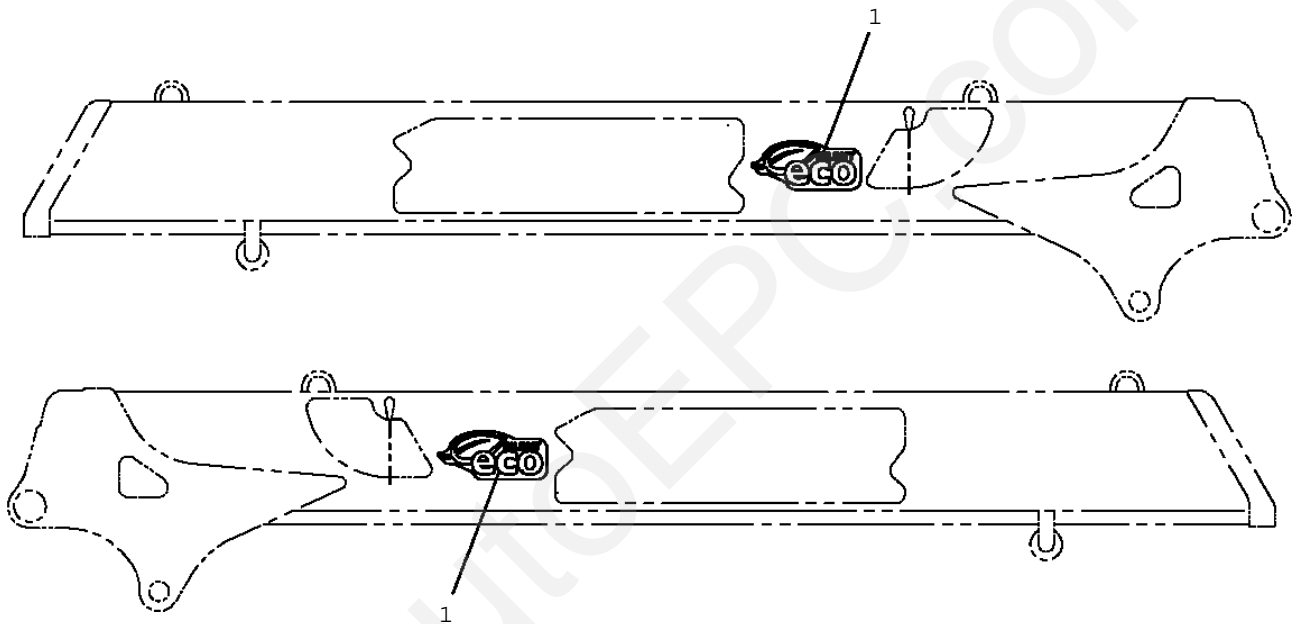
指示番号 KEY NO.	プレートASSY,ネーム PLATE ASSY,NAME
1	プレートASSY,ネーム PLATE ASSY,NAME
2	プレートASSY,ネーム (タコク) PLATE ASSY,NAME (STAMP)
3	プレートASSY,ネーム (サイレントエコ) PLATE ASSY,NAME (SILENT ECO)

**TM-ZE300 41044502004A BOOM/4 SECT.**

Pos No.	Parts No	Parts Name	Qty	Unit	Technical Data	Serial
1	(***** )	PLATE ASSY,NAME (CAUTION.LOGO)	1			
2	(***** )	PLATE ASSY,NAME (STAMP)	1			
3	(***** )	PLATE ASSY,NAME (SILENT ECO)	1			

www.AutoEPC.com

TM-ZE300 41044502004A BOOM/4 SECT.  
PO1015633-01 PLATE ASSY,NAME (SILENT ECO)



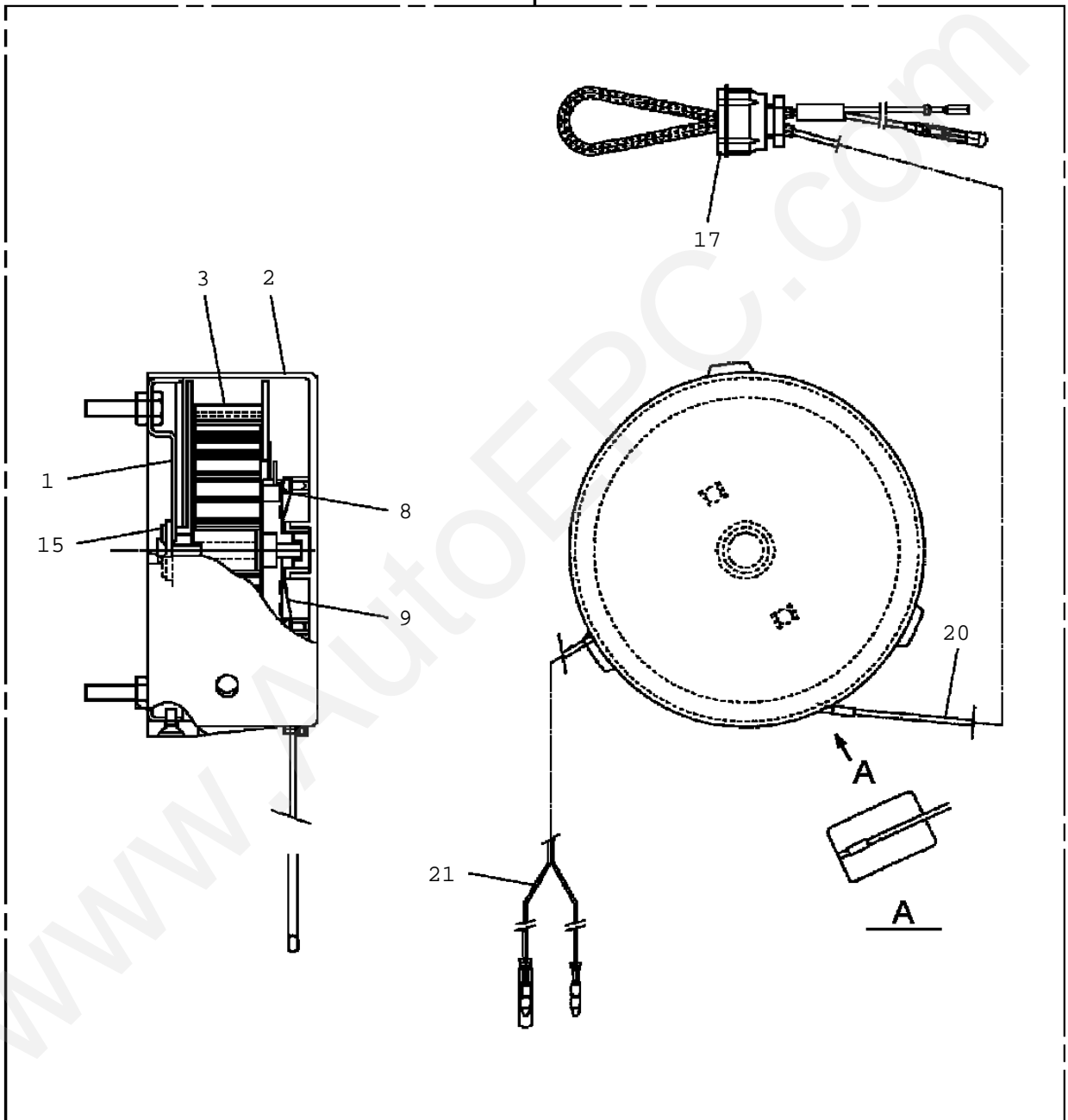
**TM-ZE300 41044502004A BOOM/4 SECT.**

Pos No.	Parts No	Parts Name	Qty	Unit	Technical Data	Serial No (Star
1	31496940310	PLATE,NAME (SILENT ECO)	2			

www.AutoEPC.com

TM-ZE300 41044502004A BOOM/4 SECT.  
PR5050001-00 REEL ASSY, CORD

100

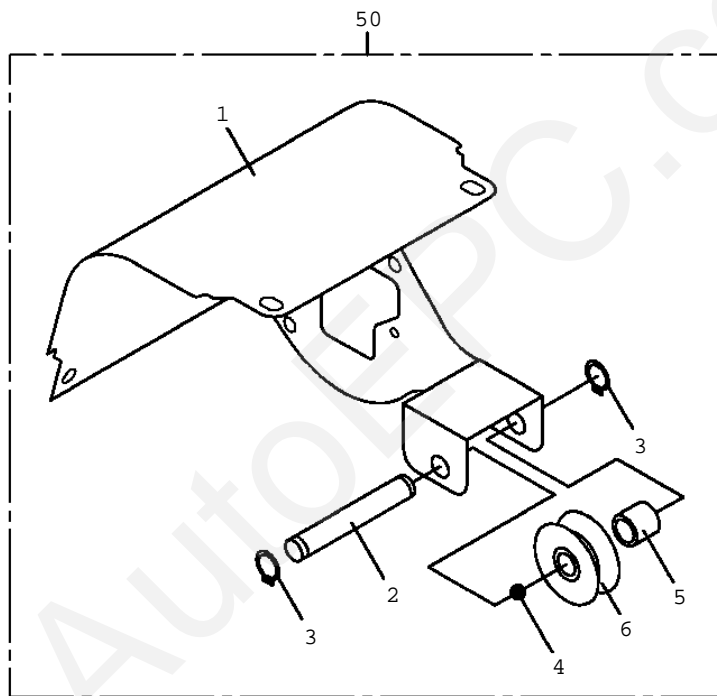


**TM-ZE300 41044502004A BOOM/4 SECT.**

Pos No.	Parts No	Parts Name	Qty	Unit	Technical Data	Serial No (Start)	Serial No (End)
1	36161615010	PLATE (BASE)	1				
2	36161615020	CASE	1				
3	36161615030	SPRING ASSY	1				
8	36161615040	CONTACTOR ASSY	1				
9	36161615050	CONTACTOR ASSY	1				
15	36161615060	WASHER	1				
17	36161495050	LOCK	1				
20	36132385060	CORD (MAIN)	13	M			
21	36132385070	CORD (SUB)	2	M			
100	36161610001	REEL ASSY, CORD	1				

www.AutoEPC.com

TM-ZE300 41044502004A BOOM/4 SECT.  
PS5420040-00 SUPPORT ASSY



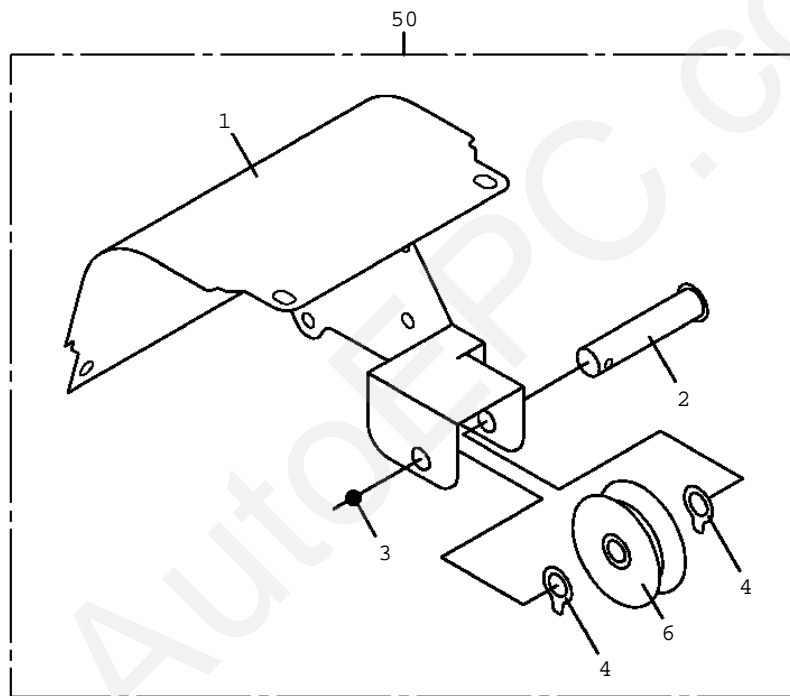


**TM-ZE300 41044502004A BOOM/4 SECT.**

Pos No.	Parts No	Parts Name	Qty	Unit	Technical Data	Serial No (Start)	Serial No (End)
1	31372971100	SUPPORT	1				
2	37000206691	PIN	1				
3	80601110120	RING, RITAINING	2		S12		
4	90303071201	WASHER, PLAIN	1		12		
5	37000301830	SPACER	1		L=16		
6	37001102460	ROLLER	1				
50	31372971001	SUPPORT ASSY	1				

www.AutoEPC.com

TM-ZE300 41044502004A BOOM/4 SECT.  
PS5420041-00 SUPPORT ASSY

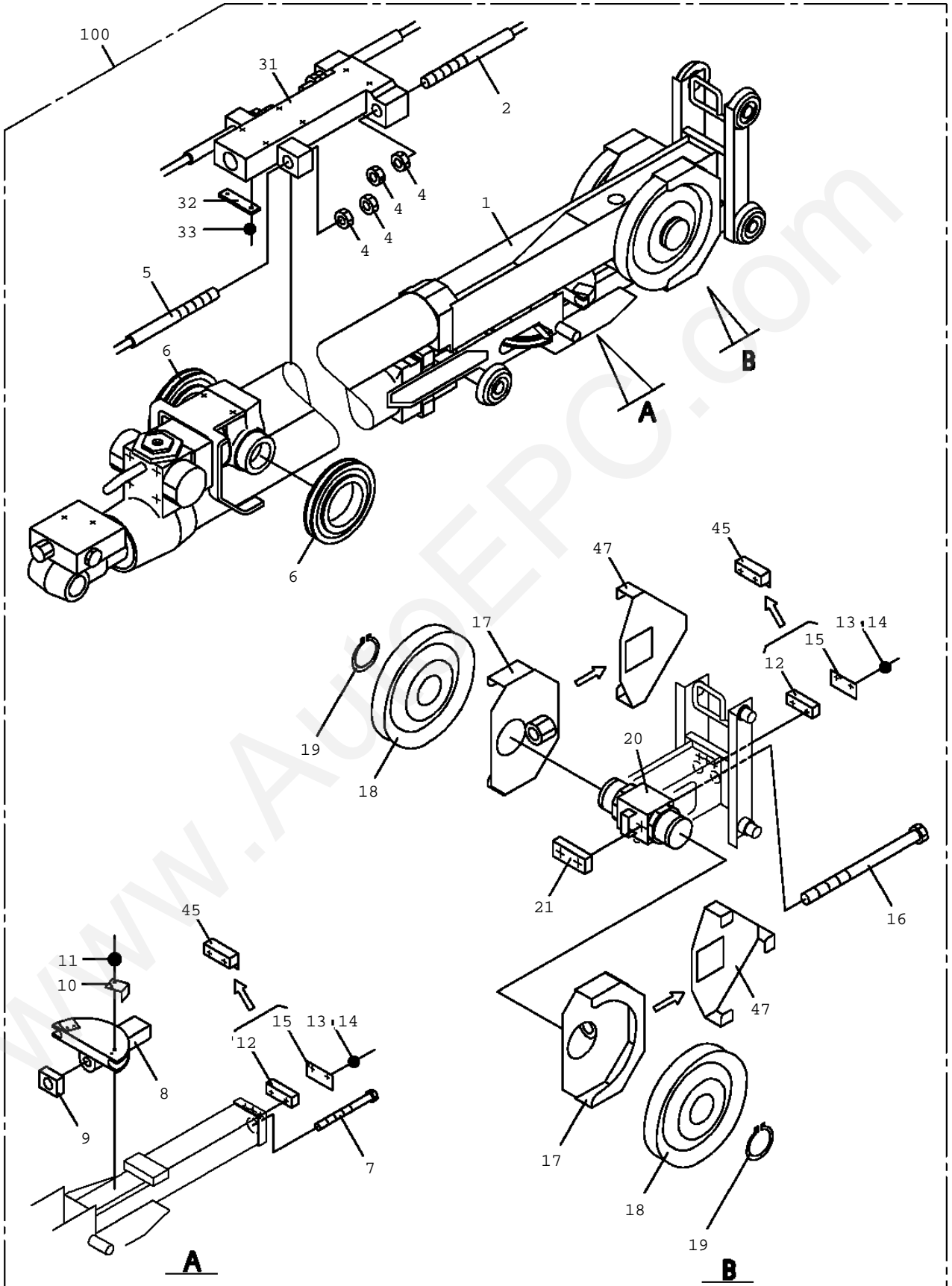


**TM-ZE300 41044502004A BOOM/4 SECT.**

Pos No.	Parts No	Parts Name	Qty	Unit	Technical Data	Serial No (Start)	Serial :
1	31372971101	SUPPORT	1				
2	37000172930	PIN	1				
3	80136332020	PIN,SPLIT	1		3.2X20		
4	31322224200	PLATE	2		L=1		
6	37001107620	ROLLER	1				
50	31372971002	SUPPORT ASSY	1				

www.AutoEPC.com

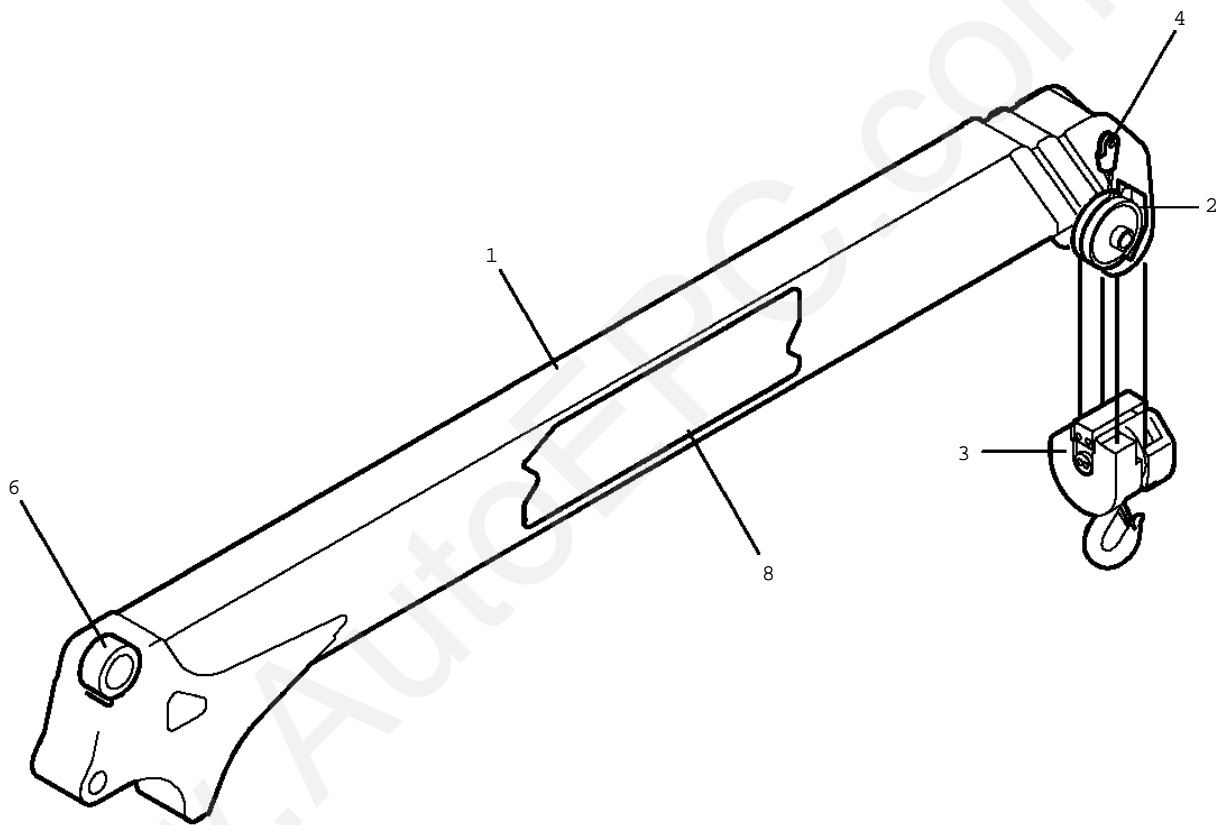
TM-ZE300 41044502004A BOOM/4 SECT.  
PT5130012-01 TELESCOPE ASSY



**TM-ZE300 41044502004A BOOM/4 SECT.**

Pos No.	Parts No	Parts Name	Qty	Unit	Technical Data	Serial No (St
1	36018320000	CYLINDER ASSY,TELESCOPING	1			
	36018320001	CYLINDER ASSY,TELESCOPING	1			DE8660
	36018960000	CYLINDER ASSY,TELESCOPING	1			DF3675
	36018320001	CYLINDER ASSY,TELESCOPING	1			DF6146
2	37001910600	ROPE,WIRE (KOKOKU)	1		9X5.89M	
	37001921580	ROPE,WIRE (KISWIRE)	1		9X5.89M	
	37001912310	ROPE,WIRE (TESAC)	1		9X5.89M	
4	90201201400	NUT	8		M14	
5	37001916790	ROPE,WIRE (TESAC)	1		8X6.02M	
	37001921590	ROPE,WIRE (KOURAI)	1		8X6.02M	
	37001916800	ROPE,WIRE (KOKOKU)	1		8X6.02M	
6	37001004450	SHEAVE ASSY	2			
7	37001508720	BOLT	1			
8	31211390700	SUPPORT	1			
9	31211390500	PLATE	1			
10	31211390800	PLATE	2			
11	80171304012	SCREW,MACHINE	4		M4X12	
12	37000577520	PLATE	2			
13	90172106025	BOLT,HEXAGON SOCKET	4		M6X25	
14	90302040601	WASHER,SPRING	4		6	
15	37000577510	PLATE	2		T=3	
16	37001510130	BOLT	2			
18	37001004490	SHEAVE ASSY	2			
19	80601110400	RING,RITAINING	2		S40	
20	31211390600	PIN	1			
21	37000570940	PLATE	1			
31	31211392100	SUPPORT	1			
32	37002006310	PLATE,SLIDE	2			
33	80175304008	SCREW,MACHINE	4		M4X8	
45	31212170300	SUPPORT (STEEL CAST)	2			DE1060
	31211380300	SUPPORT (WELDED)	2			DE1060
47	31212170100	SUPPORT	2			
100	31212170000	TELESCOPE ASSY	1			

TM-ZE300 41044502004A BOOM/4 SECT.  
PZ1000590-01 BOOM SYSTEM



ロープ、ワイヤーは〔フレーム部〕より選択してください。

FOR "ROPE, WIRE" SEE THE CORRESPONDING  
"LOWER STRUCTURE" LIST.

**TM-ZE300 41044502004A BOOM/4 SECT.**

Pos No.	Parts No	Parts Name	Qty	Unit	Technical Data	Serial N
1	(***** )	BOOM UNIT	1			
2	(***** )	BOOM (LINK ASSY)	1			
3	36094490000	HOOK (SHEAVE 2 PC'S)	1			
4	(***** )	SOCKET,ROPE	1			
6	(***** )	ELEC.ASSY (REEL, CORD)	1			
8	(***** )	PLATE ASSY,NAME (ZEST)+(ECO)	1			
	(***** )	NAME PLATE ASSY (ZEST ECO)	1			

www.AutoEPC.com